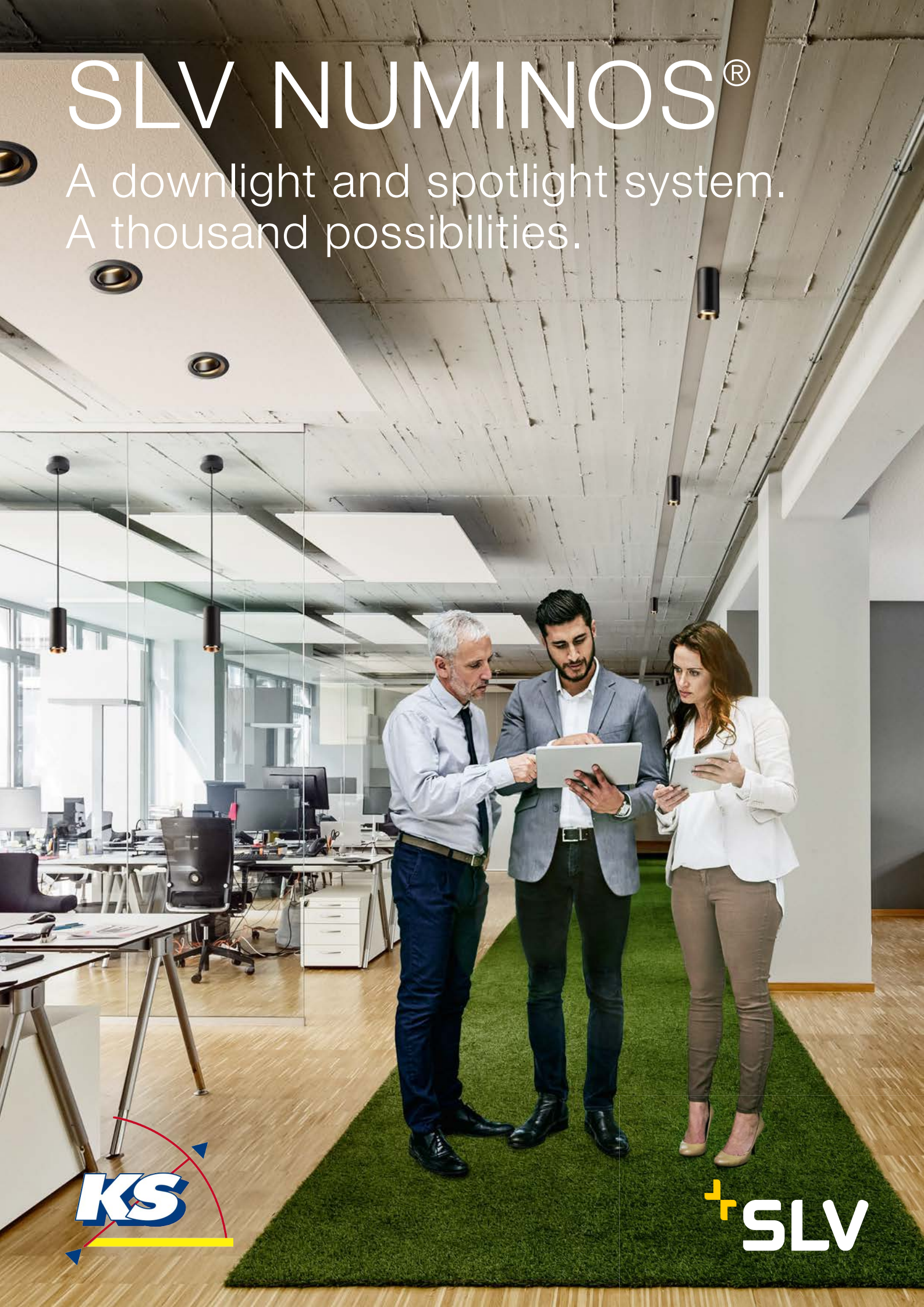


SLV NUMINOS®

A downlight and spotlight system.
A thousand possibilities.



KS

SLV

always
up to date!

download the current pricelist at

KS-Light.co.uk/price_list_NUMINOS

or scan the qr-code below!



Find our terms and conditions for business customers [here](#)



KS and SLV: strong partners in lighting for more than 30 years

PICK-UP CENTER IN ESSEN

For more than 30 years KS Licht- und Elektrotechnik GmbH complements the products and services of SLV with a variety of services. We maintain a pick-up center for SLV products in the heart of the Ruhr area, where you can pick up the goods ordered from us at short notice.

EXPERIENCE SLV LUMINAIRES LIVE

We present a large selection of SLV luminaires on more than 300 m² of exhibition space. Here, our professionally trained consultants and lighting designers will advise you personally. At the same time, you can use our exhibition to present our luminaires to your customers in terms of function and effect. Convince yourself of the quality of our outdoor luminaires in the outdoor exhibition.

FREE LIGHTING DESIGN

We develop practical lighting solutions with you and according to your needs. Whether for business premises, salesrooms or private ambience: our lighting designers always have the right concepts for a demand-oriented and energetically sensible solution. We will be happy to calculate the payback time of your new, energy-saving LED lighting for you.

KS MULTI-BRAND LUMINAIRES ONLINE SHOP

In our business online shop at www.KS-Light.co.uk you will find everything that supports you in your daily work:

- Current special offers and new products
- Online check of product availability
- Find and order all spare parts easily
- Quick order form
- All catalogues for downloading or as a flip catalogue with Product links
- Specification texts, light distribution curves/LDT plug-ins and quick calculation tables

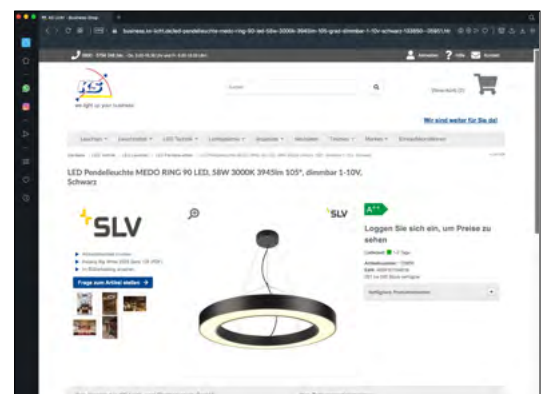
KS Licht- u. Elektrotechnik GmbH
Manderscheidstr. 8c
45141 Essen

Tel.: +49 (0)201-89924-0
Fax: +49 (0)201-89924-124

Onlineshop: www.KS-Light.co.uk
Internet: www.KS-Germany.com
Email: Verkauf@KS-Germany.com

Visit us on site or call us:

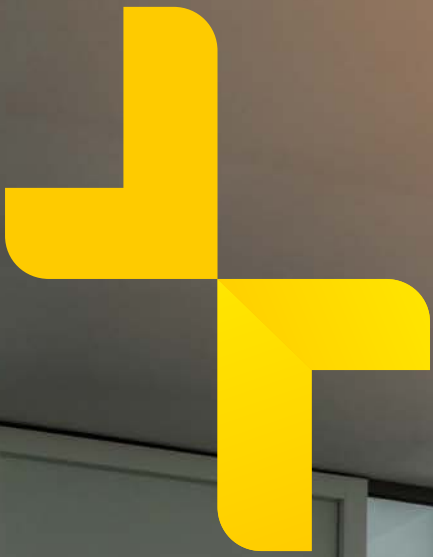
Monday-Thursday continuously from 08.00 hrs to 16.30 hrs
Friday continuously from 08.00 hrs to 15.00 hrs



Scan the link to our quick order form and get up-to-date information about the availability of goods!



www.KS-Light.co.uk/quick-order-form





SLV NUMINOS® DOWNLIGHTS AND SPOTLIGHTS

The SLV NUMINOS® lighting system offers constant lighting characteristics and modern design for all uses. Let yourself be inspired.



AVAILABLE
FROM NOVEMBER 2020



SLV NUMINOS® ONE LIGHTING SYSTEM – A THOUSAND POSSIBILITIES.

THE FREELY CONFIGURABLE LIGHTING SYSTEM
THAT CASTS A GOOD LIGHT ON EVERY SETTING.

No two projects are the same. But many projects demand a coherent lighting and design concept. SLV NUMINOS® is a perfectly coordinated lighting system that harmonises function, design and technology. For planners and doers. For every need. For maximum variety with minimum effort.

**SLV
NUMINOS®**

THE PERFECT
LIGHTING
SOLUTION FOR
EVERY CONTEXT.

HIGH-PERFORMANCE LED MODULE
WITH BRILLIANT COLOUR RENDERING

WIDE SELECTION OF DOWNLIGHTS
AND SPOTS FOR A HARMONIOUS
DESIGN CONCEPT.



MORE FREEDOM WITH SYSTEM.

WHATEVER YOU'RE PLANNING –
THE NUMINOS® LIGHTING SYSTEM
CREATES SPACE FOR NEW IDEAS.



The NUMINOS® lighting system offers constant lighting characteristics and modern design for all uses:

- for office spaces
- shops & boutiques
- hotels & gastronomy
- at home
- and much more

From hotels and offices to commercial or private rooms. From application to technology to detailed design: NUMINOS® modular downlights and spotlights can be configured exactly as required, depending on the design or space in question. And the more multifaceted your project is, the more you benefit from the NUMINOS® lighting system.

Lighting that
won't dominate.

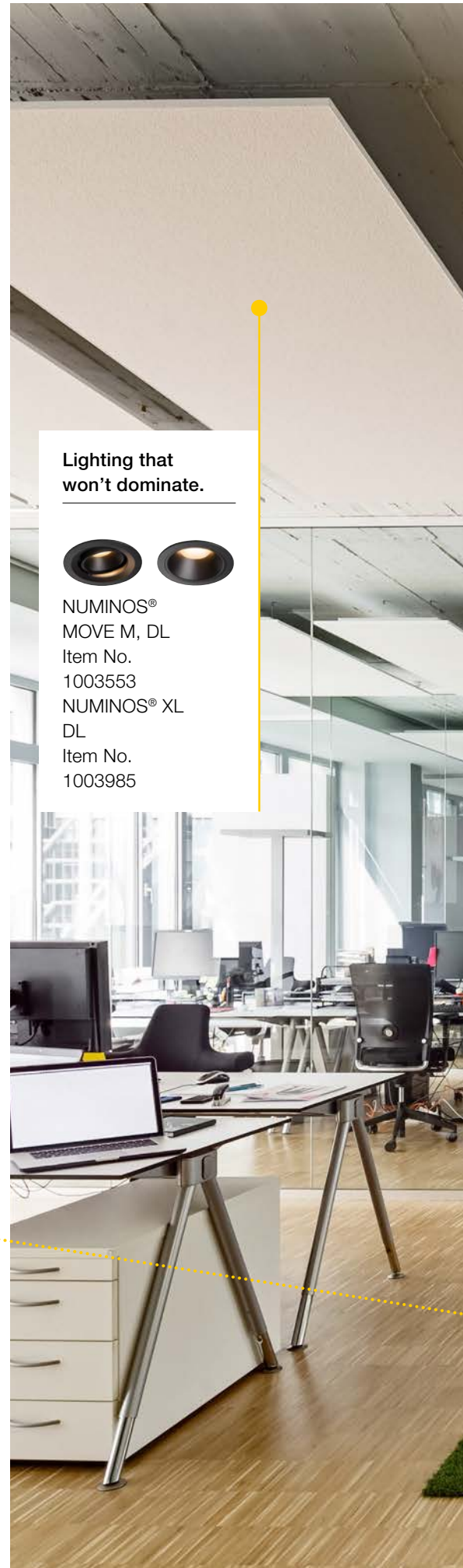


NUMINOS®
MOVE M, DL

Item No.
1003553

NUMINOS® XL
DL

Item No.
1003985



Highlights that shine down.



NUMINOS® S, CL
Item No.
1004139

Free for all dimensions.



NUMINOS® L,
3-circuit
Item No.
1004554

Individually adaptable for every room.



NUMINOS® L, PD
Item No.
1004530

UNIQUE VARIETY,
SHARED HIGHLIGHTS.

Choose between:

- Downlight or spotlight
- Various sizes and diameters
- Housing colours (black/white)
- Reflector variants
- Pivoting or rigid versions
- Performance classes

The different variants feature:

- High-performance LED module with the light colours 2700K/3000K/4000K
- Colour quality CRI>90
- Glare rating UGR min. <22



DOWNLIGHTS

Available in seven versions (68-75mm to 176-186mm) with high-performance LED module in three light colours (2700K, 3000K, 4000K) and glare ratings (UGR 16, 19, 22)

Selectable reflectors with half beam angles of 20°, 40° or 55°.

Various effect filters (frosted / prismatic / elliptical / honeycomb) available as accessories.

The decorative ring can be selected in white, black or chrome as a visible border.

NUMINOS® downlights are available as fixed or swivelling versions (4x fixed and 3x swivelling and rotating).



Accessory with system:

You can easily add an optional driver (on/off, phase dimming, DALI) and suitable diff users using the colour coding system.

You can find drivers and diff users for the SLV NUMINOS® Downlight system on pages 42-43.

ONE LIGHTING SYSTEM INTELLIGENTLY DESIGNED IN EVERY DETAIL

Thanks to the wide selection of modules, there is a suitable solution to every need. Fixed configuration. Fast and safe to install.



SPOTLIGHTS

Available in three housing sizes (65x155mm, 85x175mm, 100x203mm) with high-power LED module in three light colours (2700K, 3000K, 4000K).

Thanks to the built-in LED driver (phase dimming, DALI), all spotlights are suitable for direct connection to 230V mains voltage.

Selectable lenses with half beam angles of 24°, 36° or 60°.

NUMINOS® spotlights are available as swivelling or fixed ceiling spots, pendant lights and as spots for 3-circuit track systems.



Strong delivery performance.

For more than 40 years SLV has been one of the best known lighting manufacturers in Europe. You too can rely on quality that has been developed and tested in Germany along with reliable delivery performance. Our stock items can be delivered in less than 24 hours within Germany (48 hours in Europe). With our freely configurable luminaires, you will be notified of the delivery time as soon as you confirm the final configuration.

Easy to install.

Because efficiency always pays off, SLV lights are easy, quick and safe to install. Connection via mounting plate, track system, quick-release coupling, spring clips and colour-coded drivers for downlights offers a key advantage: it saves you time and effort – and therefore reduces cost.



A LIGHTING SYSTEM. FOR EVERY SCENARIO.

For success under all conditions, you need team players who shine with individual strengths. Discover the applications for which the individual NUMINOS® lights are particularly well suited.

Downlights.

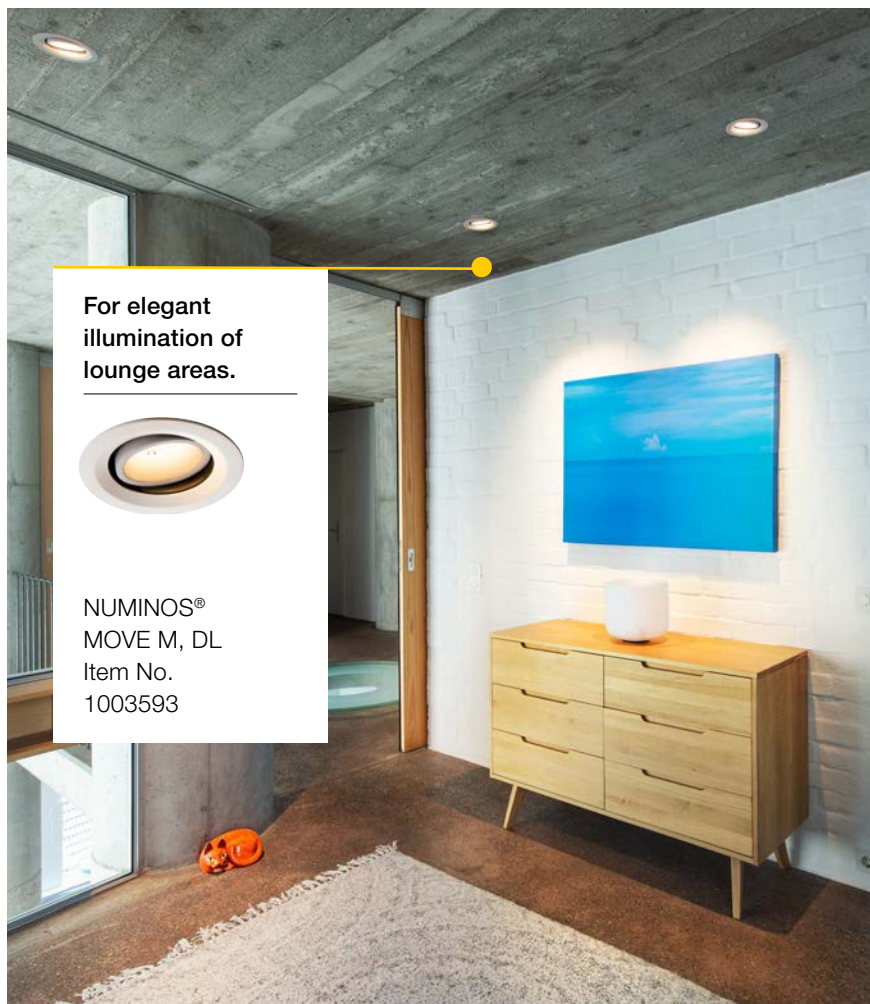
Unobtrusive, modern and space-saving lighting that directs the gaze to particular objects or the room in general: the downlights in the NUMINOS® lighting system can be used variably in commercial and private settings.



To help focus on what really matters in meeting rooms.



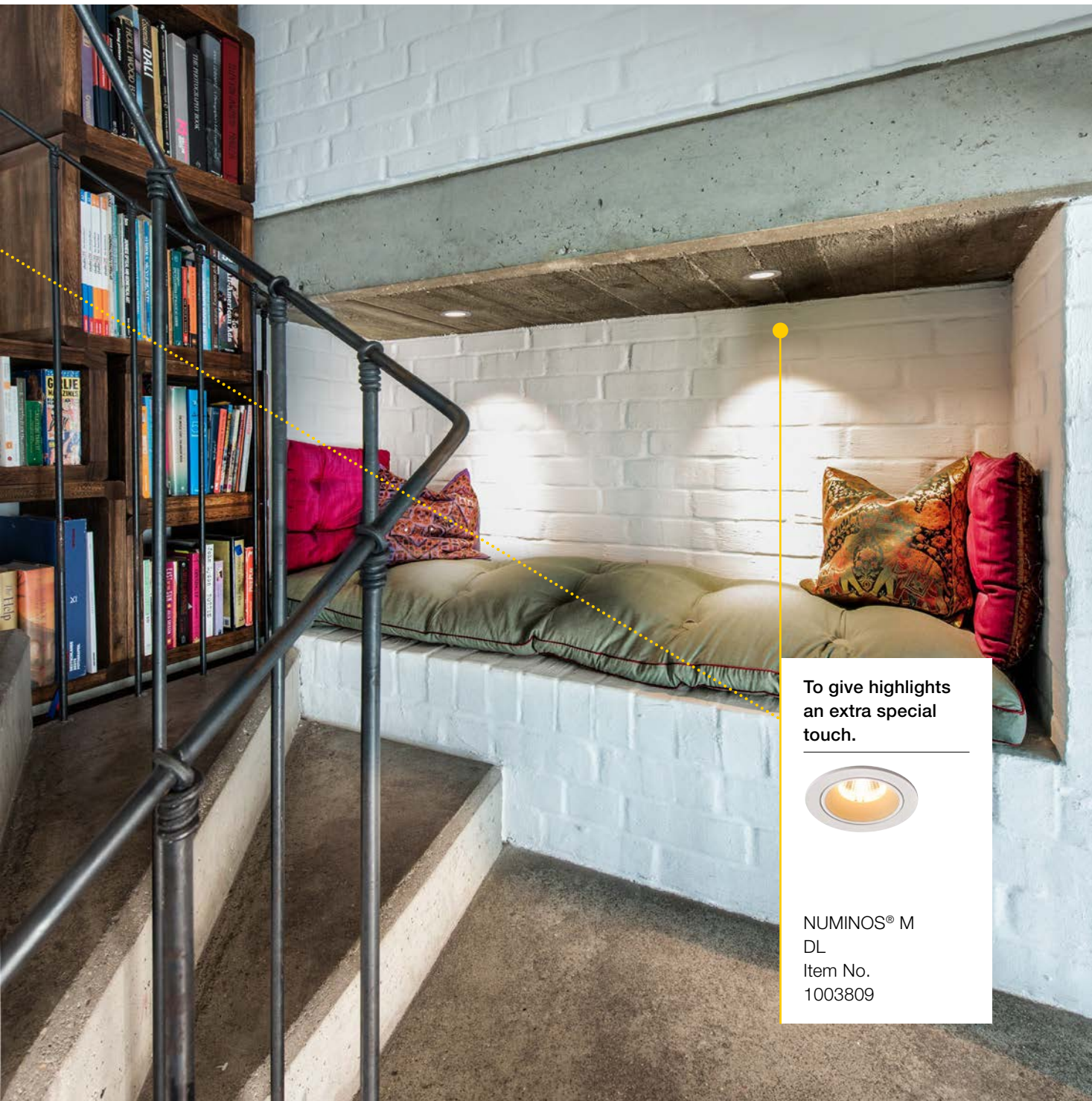
NUMINOS® S
DL
Item No.
1003798



For elegant illumination of lounge areas.



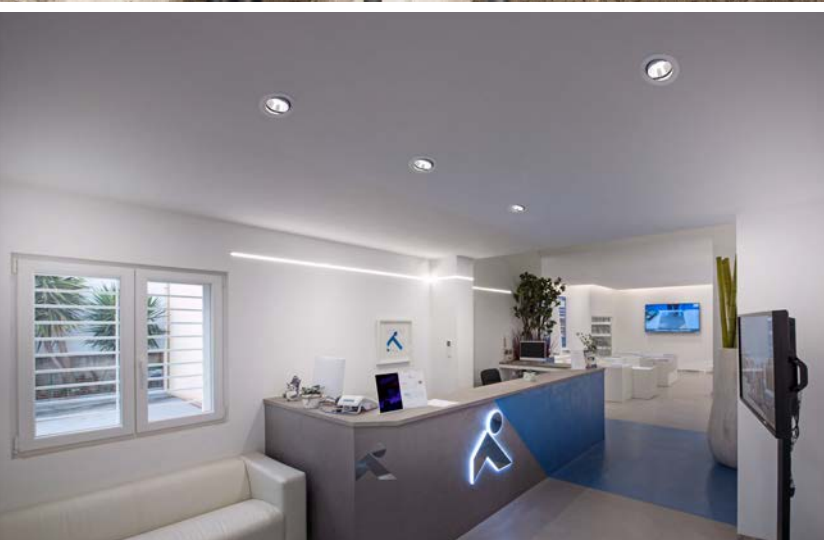
NUMINOS®
MOVE M, DL
Item No.
1003593



To give highlights
an extra special
touch.



NUMINOS® M
DL
Item No.
1003809



When you want your
lighting to promote
a sense of wellbeing.



NUMINOS®
MOVE M, DL
Item No.
1003620

Individually designed illumination.

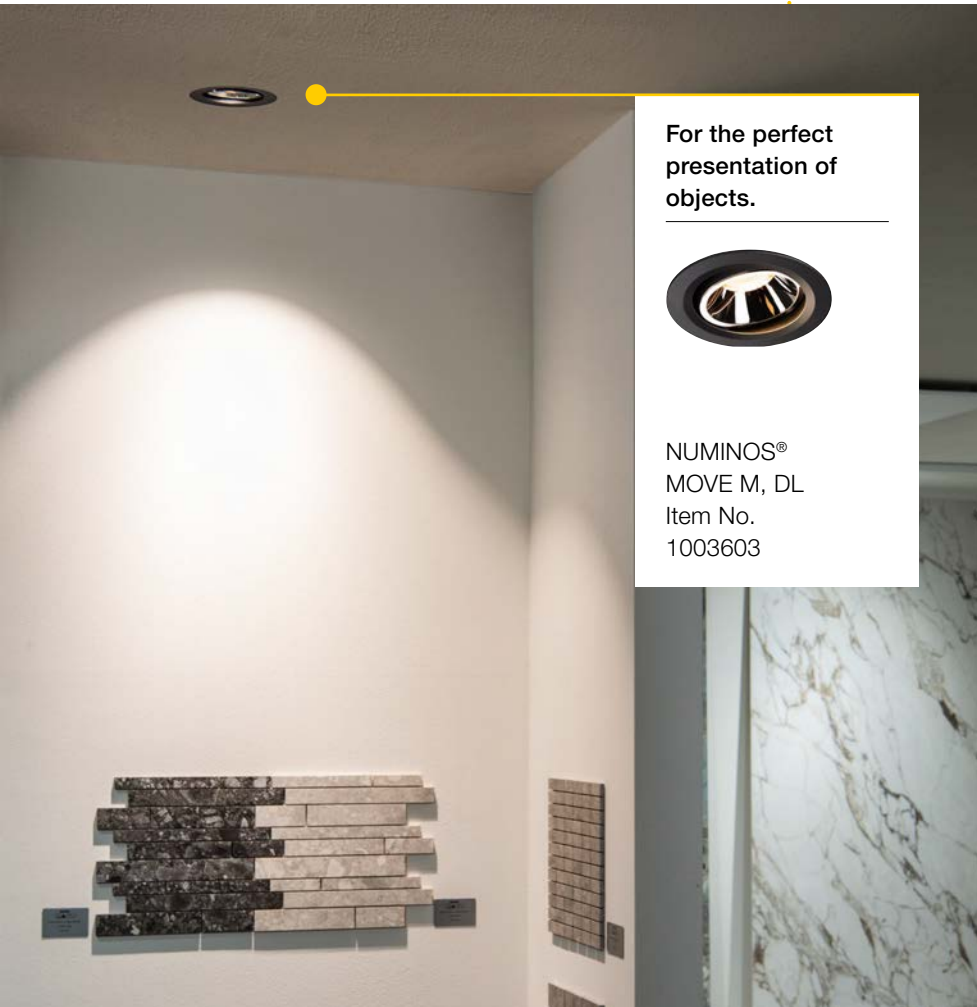
Thanks to the large selection of reflectors on offer, the NUMINOS® lighting system is suitable for accent lighting as well as for uniform illumination of work areas, corridors and offices.



For safe illumination of work surfaces.



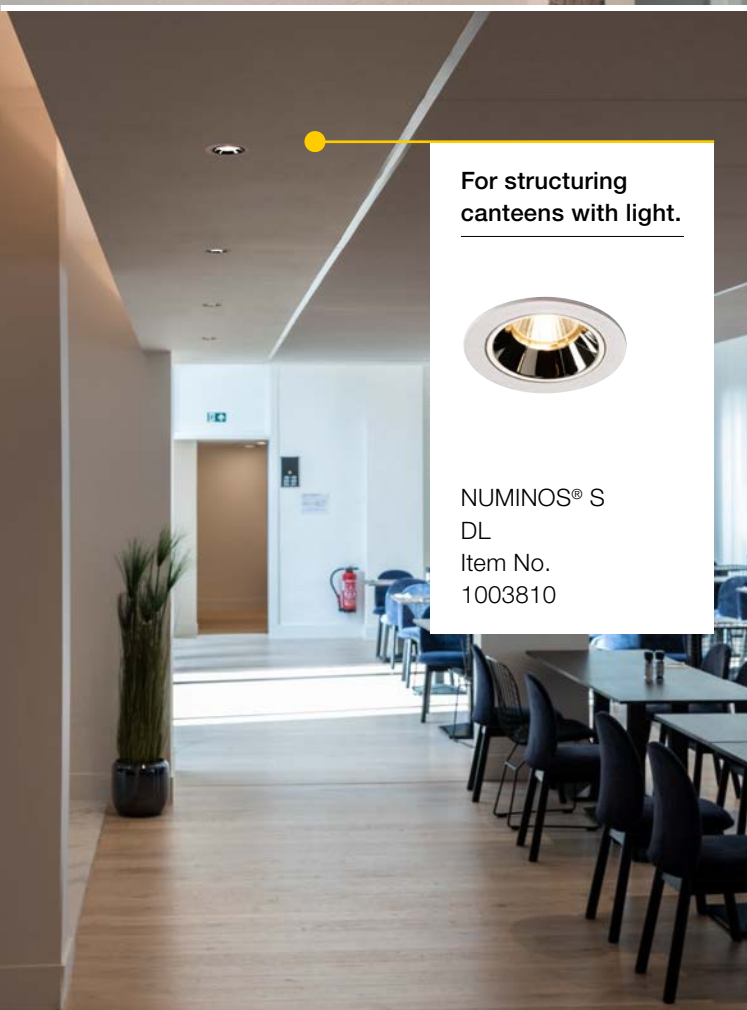
NUMINOS® S
DL
Item No.
1003795



For the perfect presentation of objects.



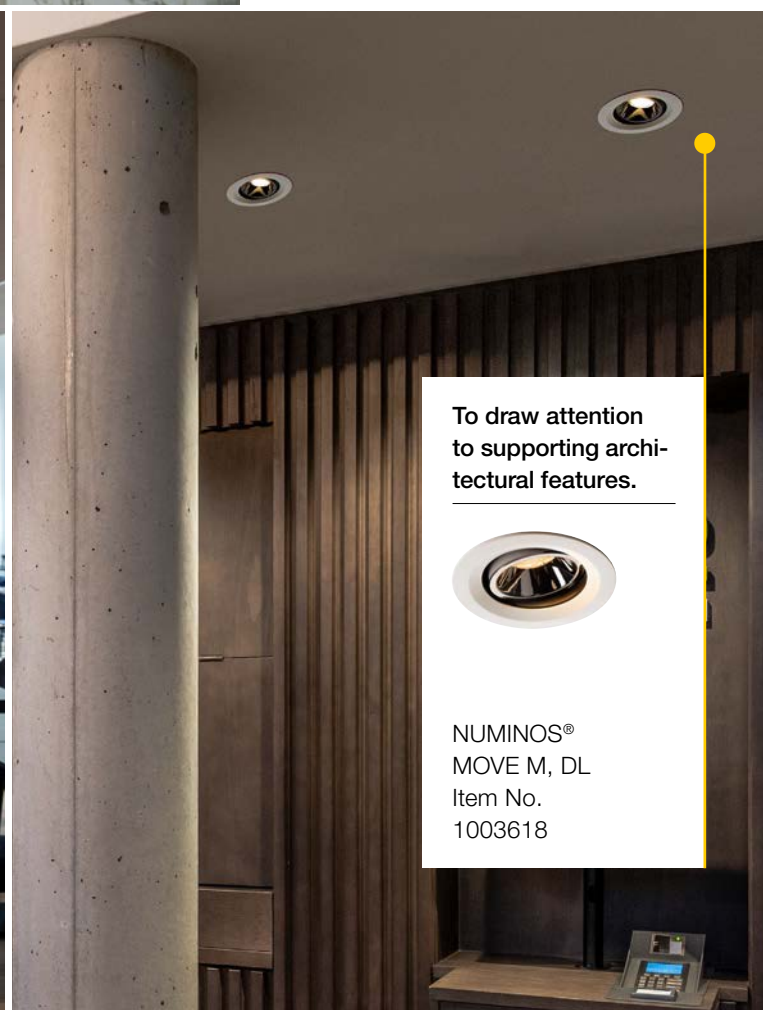
NUMINOS®
MOVE M, DL
Item No.
1003603



For structuring canteens with light.



NUMINOS® S
DL
Item No.
1003810



To draw attention to supporting architectural features.

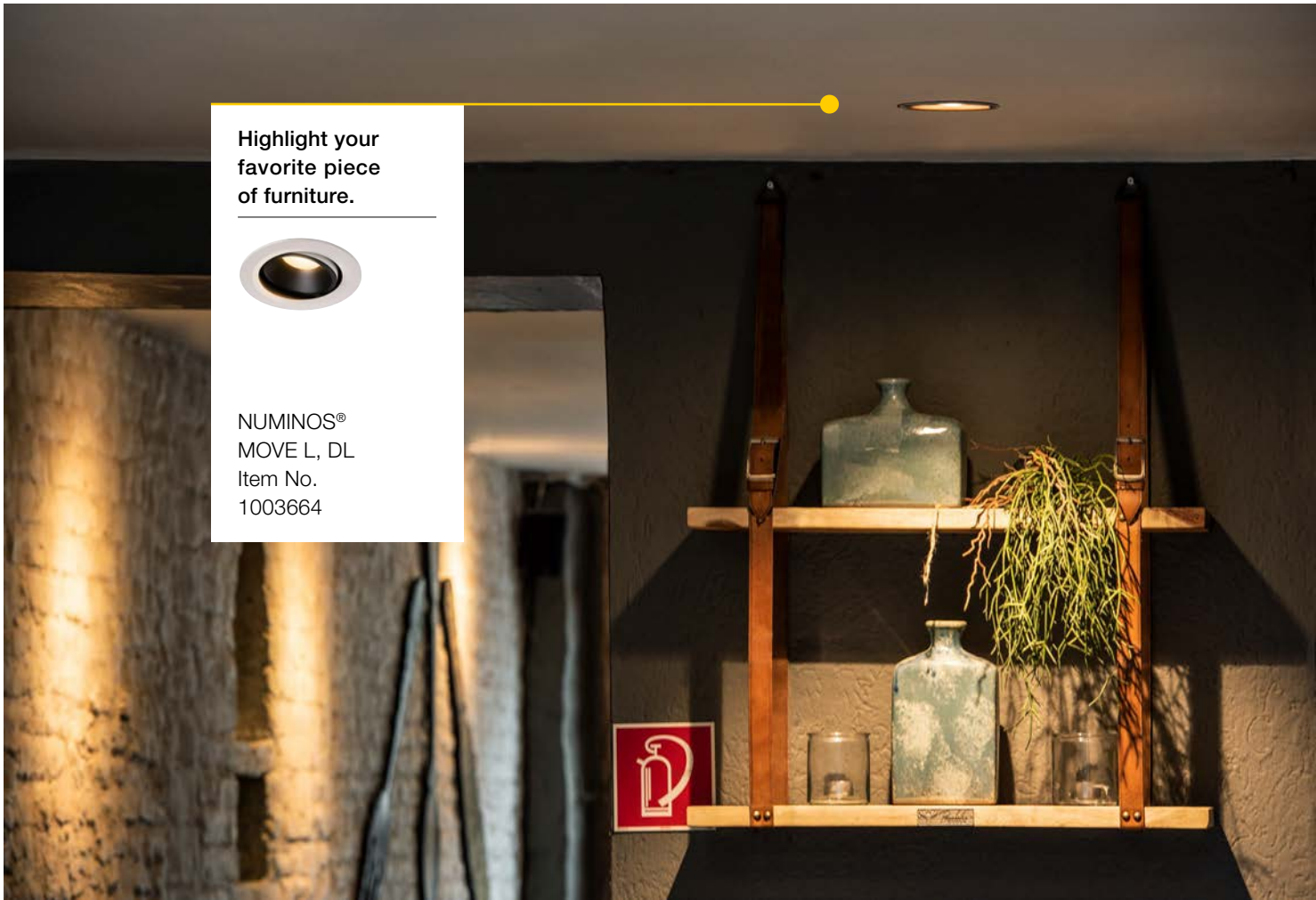


NUMINOS®
MOVE M, DL
Item No.
1003618

Highlight your
favorite piece
of furniture.



NUMINOS®
MOVE L, DL
Item No.
1003664

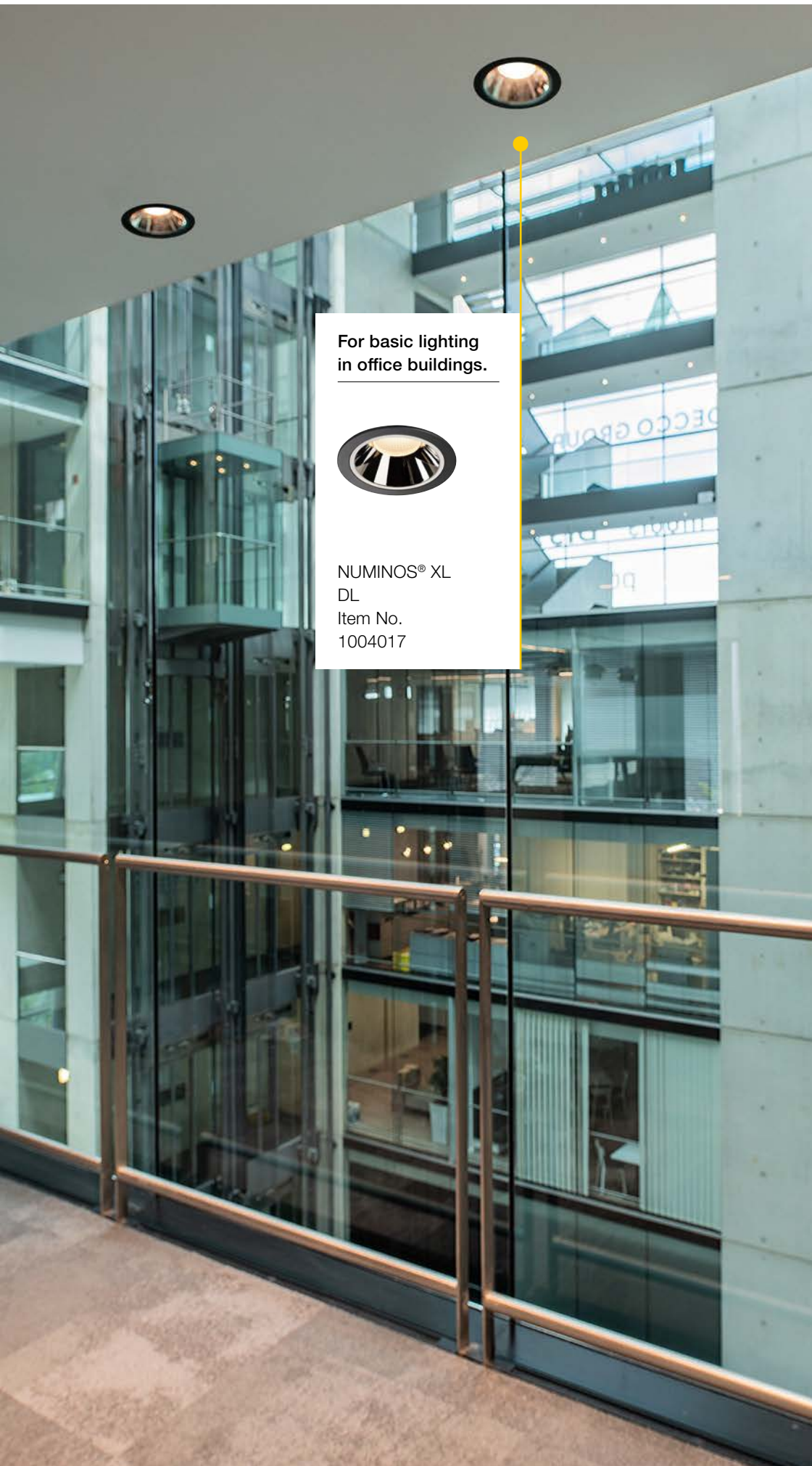


For the illumination
of corridors.



NUMINOS®
MOVE XL, DL
Item No.
1003736





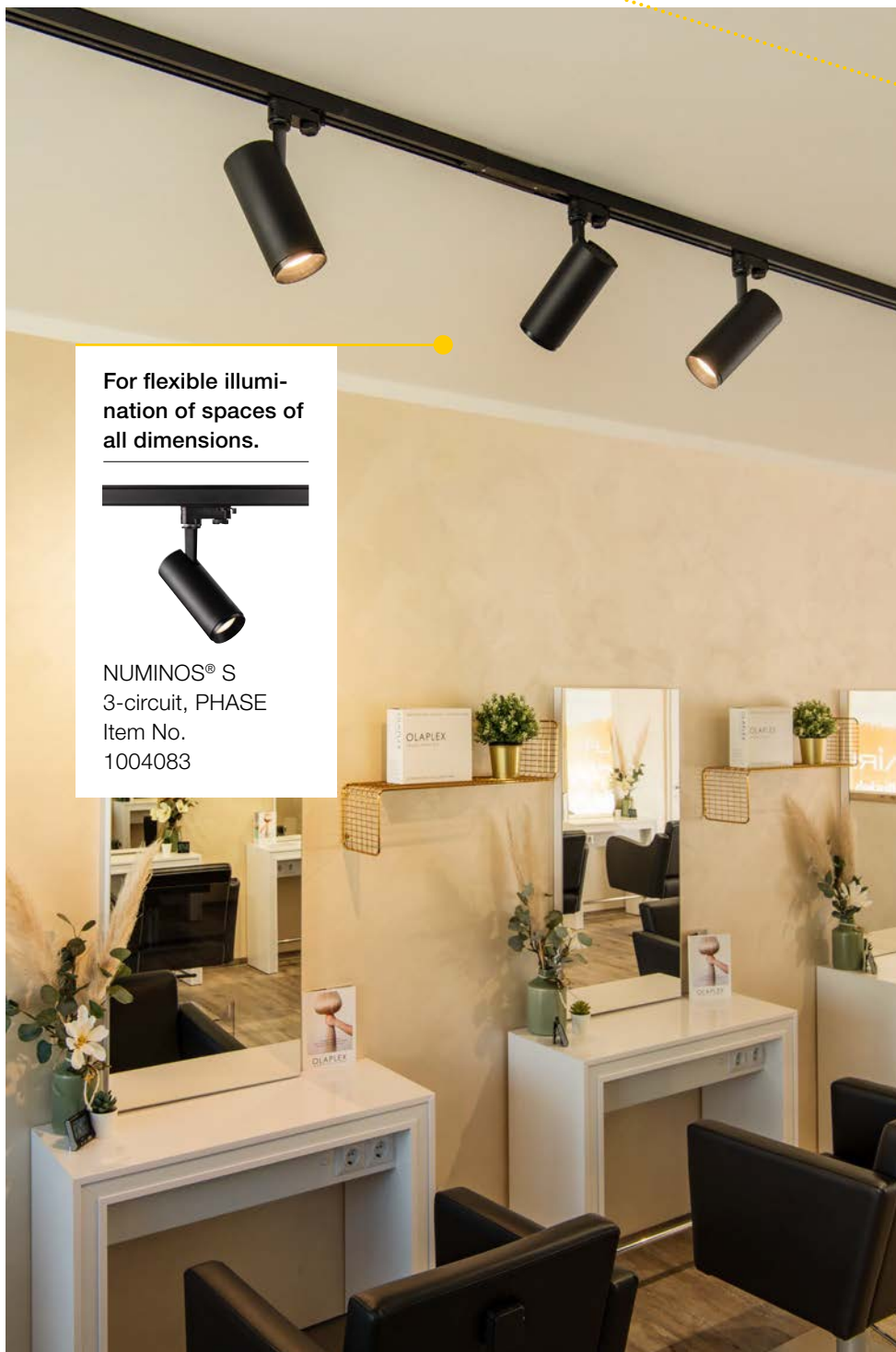
For basic lighting
in office buildings.



NUMINOS® XL
DL
Item No.
1004017

**Can be perfectly
combined.**

Thanks to the large number of light colour temperatures and drivers, the NUMINOS® lighting system can be used in many different ways and combined perfectly.



For flexible illumination of spaces of all dimensions.



NUMINOS® S
3-circuit, PHASE
Item No.
1004083

Add texture to your favorite furniture.



NUMINOS® S
CL, PHASE
Item No.
1004135

Spotlights.

Shops and boutiques as well as restaurants, bars, studios, and offices – every space depends on expert accent lighting. Spotlights can be used to illuminate larger spaces as well as for targeted lighting.





To create
a welcoming
atmosphere.



NUMINOS® L
PD, DALI
Item No.
1004435



For a cosier home.



NUMINOS® M
PD, PHASE
Item No.
1004154

For effective
perception of
characteristics.



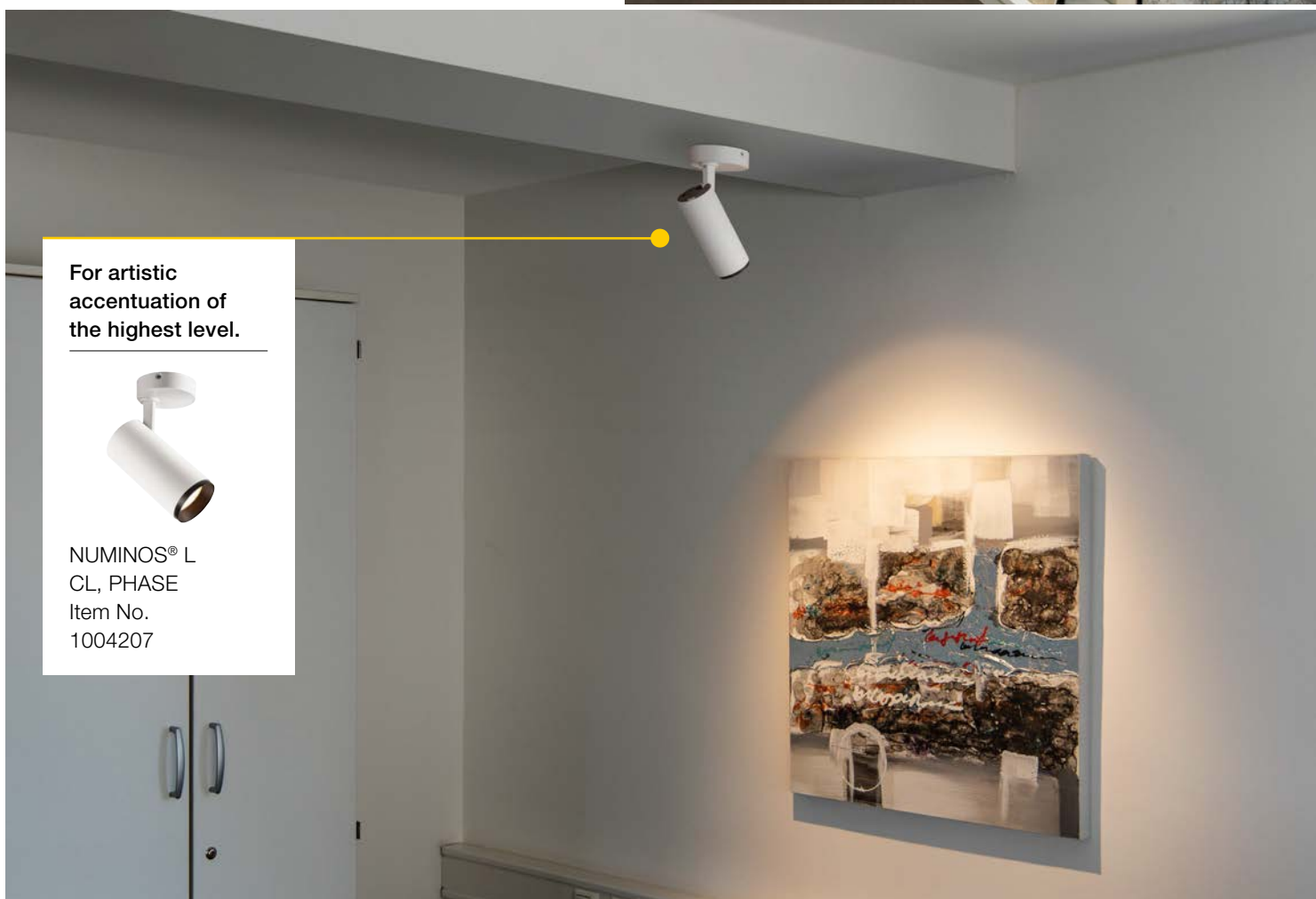
NUMINOS® L
3-circuit, PHASE
Item No.
1004287



For artistic
accentuation of
the highest level.



NUMINOS® L
CL, PHASE
Item No.
1004207



To give office spaces a striking structure.



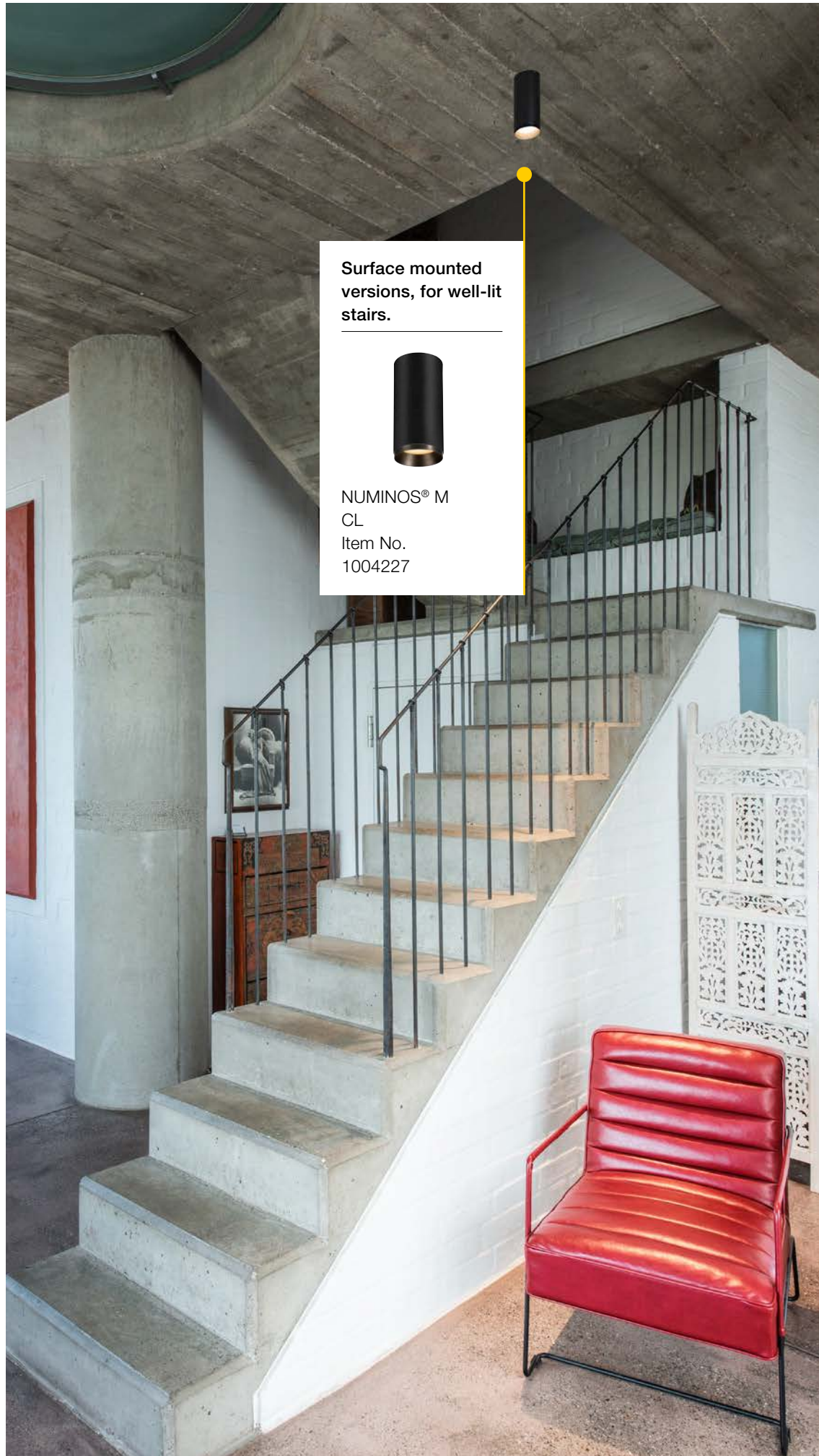
NUMINOS® M
CL, DALI
Item No.
1004519

Flexibility in all its facets.

Whether you're looking to create atmospheric room lighting or effective accent lighting – with the right spotlights, anything is possible. The rotating and pivoting versions in particular, as well as the track spotlights of the NUMINOS® lighting system, meet the highest demands in terms of flexibility.

Subtly decorative.

NUMINOS® spots and pendant lights are the right choice especially where the light source is not intended to be a decorative feature. Their straightforward simplicity does not distract from the interior design, but sets the scene. They skilfully perform the lighting task required.



Surface mounted versions, for well-lit stairs.



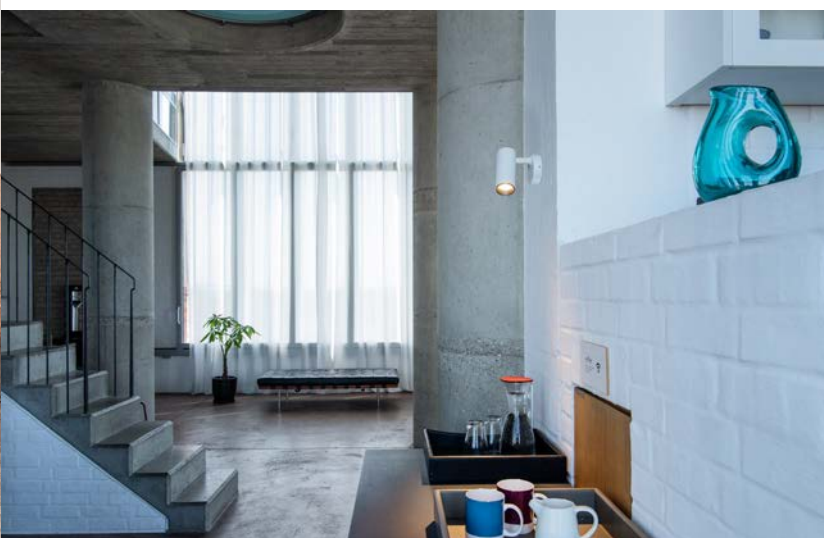
NUMINOS® M
CL
Item No.
1004227



Draws the eye
to counters and
tables.



NUMINOS® S
PD, DALI
Item No.
1004447



For accentuating
furnishing objects.



NUMINOS® S
CW
Item No.
1004110



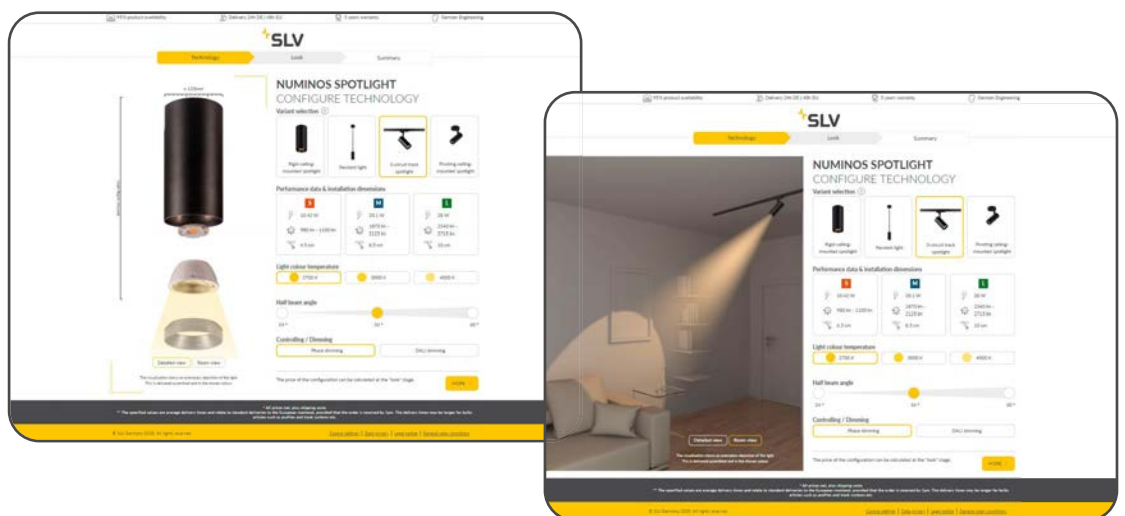
Collected inspiration?

Have you collected inspiration on the NUMINOS® website and landed in the configurator via an application scenario? Then the technical selection options are already optimally preset.

CONFIGURE ONLINE. WITH A SYSTEM.

Your dream light in just a few steps – the SLV NUMINOS® online configurator makes it possible.

Whether spotlights or downlights – our online configurator will get you to your goal quickly. Choose between a detailed or a room view to get a visual preview of your planned project.



Do you want to configure your dream light right now?

Head to the SLV NUMINOS® online configurator here:

www.KS-Light.co.uk/numinos-configurators-en

DOWNLIGHTS



Select the technical features

Choose the swivelling or rigid version and specify the output and the associated installation dimensions and luminous intensity. The light colour temperature can be selected in three levels from warm white to neutral white. All that remains is to select the appropriate beam angle and the technology is configured.

Configure the look

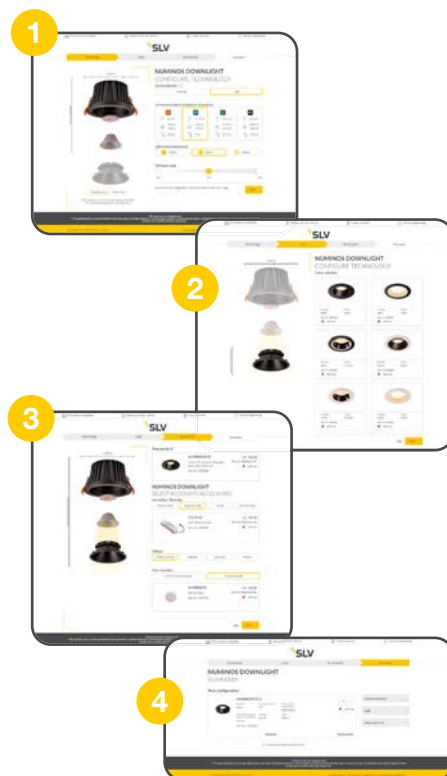
By selecting a black or white housing and a decorative ring in black, white, or chrome, you can match the appearance of any room. You can see immediately how much your downlight will cost in the planned configuration.

Add optional accessories

When it comes to downlight accessories, the configurator offers optional control/dimming (on/off, phase dimming, DALI), matching diffusers and glare control via honeycomb louvre.

Summary

Check your configuration before you add the downlight to your shopping cart. Or add it to your wishlist to complete the purchase later. You can also download useful lighting design files, data sheets and other documents.



SPOTLIGHTS

Select the technical features

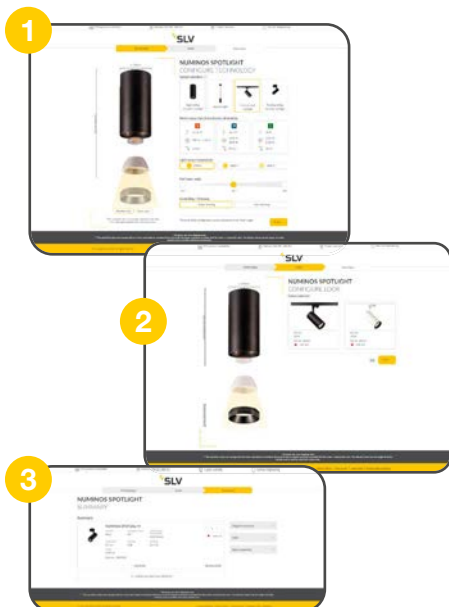
Depending on your requirements, select your desired spotlight from the four available mounting types and housings. When you select the output, you also specify the light intensity and light diameter. This is followed by light colour temperature and beam angle. And because the LED driver is permanently installed in the spotlights, you only need to decide between phase dimming or DALI dimming.

Configure the look

Black or rather white? Your requirements, personal preferences or the design concept to be fulfilled may influence the housing colour, but not the apparent price.

Summary

You should also check the configuration of the spotlights before putting in your shopping cart. And of course, as with the downlights, functions such as the wishlist or the download of useful documents are available here.



STILL UNSURE ABOUT SOMETHING?

Scan me to view a video that shows how to configure NUMINOS® lights.



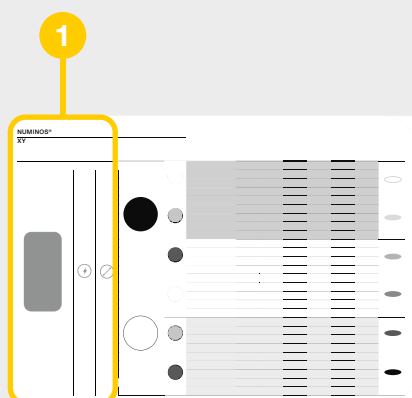
HERE AND NOW TO THE GOAL!

Configure your light with the SLV NUMINOS® brochure.



Put together your dream lighting over the next pages.

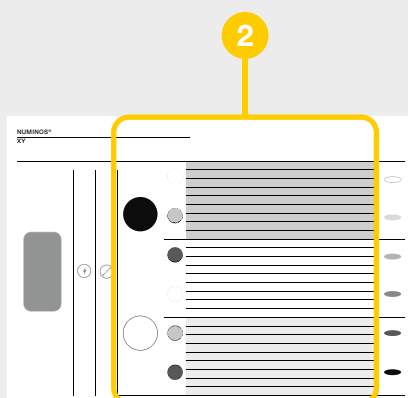
The following product overviews will help you reach your goal easily: scroll to your desired light type, follow the columns from left to right and make your individual selection. At the end, you will find the relevant item number for direct ordering.



STEP 1

SPOTLIGHT OR DOWNLIGHT?

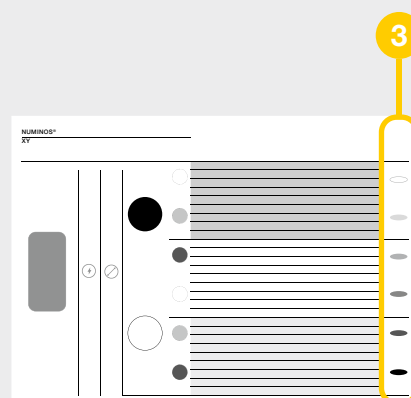
Choose the most suitable light type for your needs. The diameter (downlights) or housing size (spotlights) are coupled with the total wattage.



STEP 2

TECHNICAL CONFIGURATION & SELECTION OF DETAILS

Column by column, you can select optical and technical attributes such as housing colour or decorative colours, the colour temperature, half beam angle and more.



STEP 3

PRODUCT

Get a visual impression of your fully configured light and order it right away using the relevant item number.

NUMINOS® S

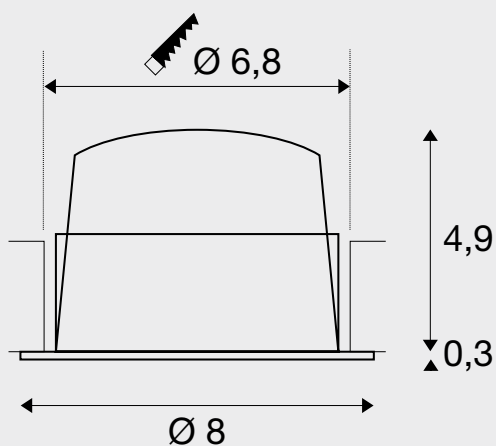


DL



Product details:

250mA
 Premium LED with CRI>90
 Power consumption: 8.6W
 Material: aluminium/polycarbonate (PC)
 Installation dimensions: Diameter: 6.8 cm D: 5.5 cm



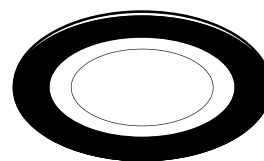
Tip:

Low-voltage plug
 Driver not included

You can find suitable drivers and diffusers on pages 42-43.



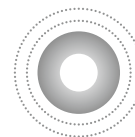
black



black



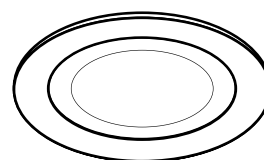
white



chrome



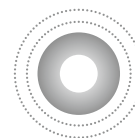
black



white



white













chrome



Leaf springs for installation in solid ceilings are included.



				ITEM NO.	
2700K	670lm	20°	18	1003769	
	670lm	40°	19	1003772	
	670lm	55°	21	1003775	
3000K	690lm	20°	18	1003793	
	690lm	40°	18	1003796	
	690lm	55°	20	1003799	
4000K	730lm	20°	18	1003817	
	730lm	40°	19	1003820	
	730lm	55°	21	1003823	
2700K	720lm	20°	19	1003770	
	720lm	40°	18	1003773	
	720lm	55°	20	1003776	
3000K	730lm	20°	18	1003794	
	730lm	40°	18	1003797	
	730lm	55°	20	1003800	
4000K	790lm	20°	19	1003818	
	790lm	40°	18	1003821	
	790lm	55°	20	1003824	
2700K	690lm	20°	16	1003771	
	690lm	40°	16	1003774	
	690lm	55°	19	1003777	
3000K	700lm	20°	16	1003795	
	700lm	40°	16	1003798	
	700lm	55°	18	1003801	
4000K	750lm	20°	16	1003819	
	750lm	40°	16	1003822	
	750lm	55°	19	1003825	
2700K	670lm	20°	18	1003781	
	670lm	40°	19	1003784	
	670lm	55°	21	1003787	
3000K	690lm	20°	18	1003805	
	690lm	40°	18	1003808	
	690lm	55°	20	1003811	
4000K	730lm	20°	18	1003829	
	730lm	40°	19	1003832	
	730lm	55°	21	1003835	
2700K	720lm	20°	19	1003782	
	720lm	40°	18	1003785	
	720lm	55°	20	1003788	
3000K	730lm	20°	18	1003806	
	730lm	40°	18	1003809	
	730lm	55°	20	1003812	
4000K	790lm	20°	19	1003830	
	790lm	40°	18	1003833	
	790lm	55°	20	1003836	
2700K	690lm	20°	16	1003783	
	690lm	40°	16	1003786	
	690lm	55°	19	1003789	
3000K	700lm	20°	16	1003807	
	700lm	40°	16	1003810	
	700lm	55°	18	1003813	
4000K	750lm	20°	16	1003831	
	750lm	40°	16	1003834	
	750lm	55°	19	1003837	

NUMINOS® M

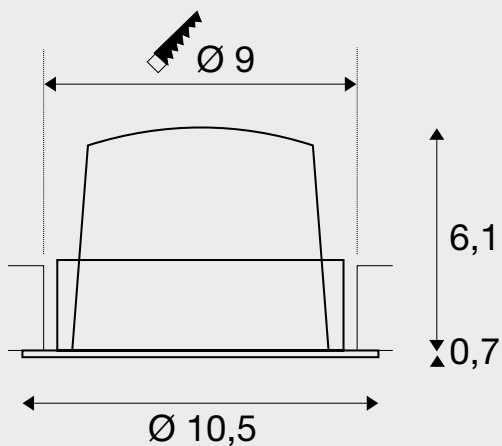


DL



Product details:

500mA
 Premium LED with CRI>90
 Power consumption: 17.5W
 Material: aluminium/polycarbonate (PC)
 Installation dimensions: Diameter: 9 cm D: 7.5 cm



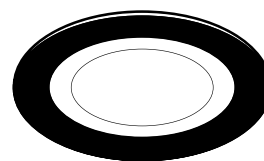
Tip:

Low-voltage plug
 Driver not included

You can find suitable drivers and diffusers on pages 42-43.



black



black



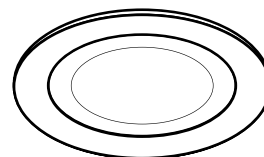
white



chrome



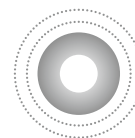
black



white



white



chrome



Leaf springs for installation in solid ceilings are included.



				ITEM NO.	
2700K	1460lm	20°	19	1003841	
	1460lm	40°	20	1003844	
	1460lm	55°	21	1003847	
3000K	1500lm	20°	19	1003865	
	1500lm	40°	20	1003868	
	1500lm	55°	21	1003871	
4000K	1600lm	20°	19	1003889	
	1600lm	40°	20	1003892	
	1600lm	55°	21	1003895	
2700K	1600lm	20°	20	1003842	
	1600lm	40°	19	1003845	
	1600lm	55°	20	1003848	
3000K	1600lm	20°	20	1003866	
	1600lm	40°	20	1003869	
	1600lm	55°	21	1003872	
4000K	1750lm	20°	20	1003890	
	1750lm	40°	20	1003893	
	1750lm	55°	21	1003896	
2700K	1550lm	20°	17	1003843	
	1550lm	40°	17	1003846	
	1550lm	55°	18	1003849	
3000K	1550lm	20°	17	1003867	
	1550lm	40°	17	1003870	
	1550lm	55°	19	1003873	
4000K	1660lm	20°	17	1003891	
	1660lm	40°	17	1003894	
	1660lm	55°	19	1003897	
2700K	1460lm	20°	19	1003853	
	1460lm	40°	20	1003856	
	1460lm	55°	21	1003859	
3000K	1500lm	20°	19	1003877	
	1500lm	40°	20	1003880	
	1500lm	55°	21	1003883	
4000K	1600lm	20°	19	1003901	
	1600lm	40°	20	1003904	
	1600lm	55°	21	1003907	
2700K	1600lm	20°	20	1003854	
	1600lm	40°	19	1003857	
	1600lm	55°	20	1003860	
3000K	1600lm	20°	20	1003878	
	1600lm	40°	20	1003881	
	1600lm	55°	21	1003884	
4000K	1750lm	20°	20	1003902	
	1750lm	40°	20	1003905	
	1750lm	55°	21	1003908	
2700K	1550lm	20°	17	1003855	
	1550lm	40°	17	1003858	
	1550lm	55°	18	1003861	
3000K	1550lm	20°	17	1003879	
	1550lm	40°	17	1003882	
	1550lm	55°	19	1003885	
4000K	1660lm	20°	17	1003903	
	1660lm	40°	17	1003906	
	1660lm	55°	19	1003909	

NUMINOS® L

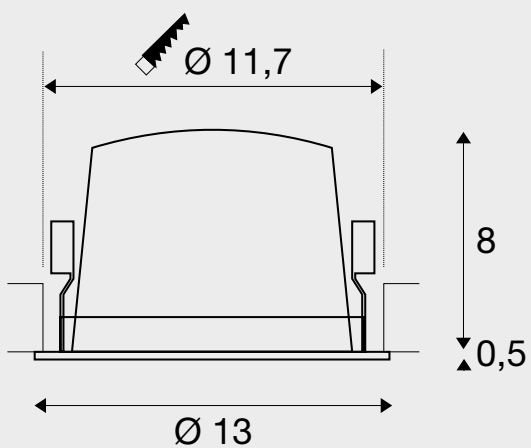


DL



Product details:

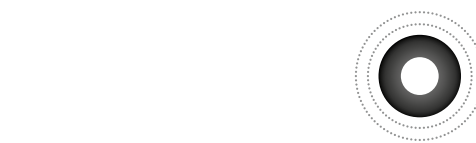
700mA
 Premium LED with CRI>90
 Power consumption: 25.4W
 Material: aluminium/polycarbonate (PC)
 Installation dimensions: Diameter: 11.7 cm D: 9 cm



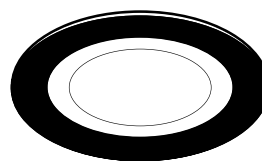
Tip:

Low-voltage plug
 Driver not included

You can find suitable drivers and diffusers on pages 42-43.



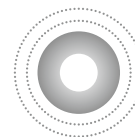
black



black



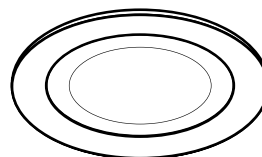
white



chrome



black



white



white



chrome



ITEM NO.

2700K	2150lm	20°	20	1003913			
	2150lm	40°	20	1003916			
	2150lm	55°	22	1003919			
3000K	2150lm	20°	20	1003937			
	2150lm	40°	21	1003940			
	2150lm	55°	23	1003943			
4000K	2350lm	20°	20	1003961			
	2350lm	40°	21	1003964			
	2350lm	55°	23	1003967			
2700K	2250lm	20°	18	1003914			
	2250lm	40°	18	1003917			
	2250lm	55°	20	1003920			
3000K	2300lm	20°	18	1003938			
	2300lm	40°	19	1003941			
	2300lm	55°	20	1003944			
4000K	2450lm	20°	18	1003962			
	2450lm	40°	19	1003965			
	2450lm	55°	20	1003968			
2700K	2150lm	20°	17	1003915			
	2150lm	40°	17	1003918			
	2150lm	55°	19	1003921			
3000K	2200lm	20°	17	1003939			
	2200lm	40°	18	1003942			
	2200lm	55°	19	1003945			
4000K	2350lm	20°	17	1003963			
	2350lm	40°	18	1003966			
	2350lm	55°	19	1003969			
2700K	2150lm	20°	20	1003925			
	2150lm	40°	20	1003928			
	2150lm	55°	22	1003931			
3000K	2150lm	20°	20	1003949			
	2150lm	40°	21	1003952			
	2150lm	55°	23	1003955			
4000K	2350lm	20°	20	1003973			
	2350lm	40°	21	1003976			
	2350lm	55°	23	1003979			
2700K	2250lm	20°	18	1003926			
	2250lm	40°	18	1003929			
	2250lm	55°	20	1003932			
3000K	2300lm	20°	18	1003950			
	2300lm	40°	19	1003953			
	2300lm	55°	20	1003956			
4000K	2450lm	20°	18	1003974			
	2450lm	40°	19	1003977			
	2450lm	55°	20	1003980			
2700K	2150lm	20°	17	1003927			
	2150lm	40°	17	1003930			
	2150lm	55°	19	1003933			
3000K	2200lm	20°	17	1003951			
	2200lm	40°	18	1003954			
	2200lm	55°	19	1003957			
4000K	2350lm	20°	17	1003975			
	2350lm	40°	18	1003978			
	2350lm	55°	19	1003981			

NUMINOS® XL



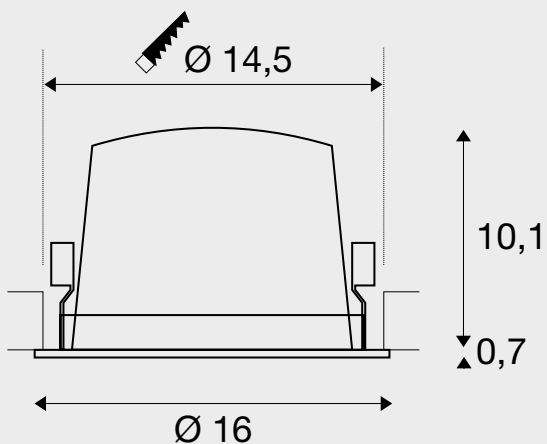
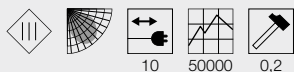
DL

XL



Product details:

1050mA
 Premium LED with CRI>90
 Power consumption: 37.4W
 Material: aluminium/polycarbonate (PC)
 Installation dimensions: Diameter: 14.5 cm D: 11.5 cm



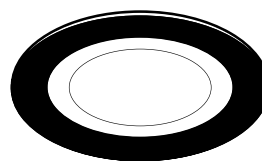
Tip:

Low-voltage plug
 Driver not included

You can find suitable drivers and diffusers on pages 42-43.



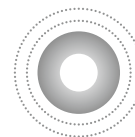
black



black



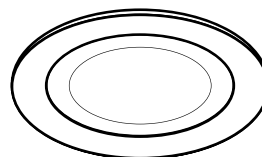
white



chrome



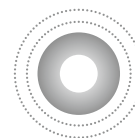
black



white



white



chrome



ITEM NO.

2700K	3300lm	20°	21	1003985				
	3300lm	40°	21	1003988				
	3300lm	55°	22	1003991				
3000K	3300lm	20°	21	1004009				
	3300lm	40°	21	1004012				
	3300lm	55°	22	1004015				
4000K	3600lm	20°	21	1004033				
	3600lm	40°	21	1004036				
	3600lm	55°	23	1004039				
2700K	3500lm	20°	18	1003986				
	3500lm	40°	18	1003989				
	3500lm	55°	19	1003992				
3000K	3550lm	20°	18	1004010				
	3550lm	40°	18	1004013				
	3550lm	55°	19	1004016				
4000K	3800lm	20°	18	1004034				
	3800lm	40°	18	1004037				
	3800lm	55°	19	1004040				
2700K	3400lm	20°	17	1003987				
	3400lm	40°	18	1003990				
	3400lm	55°	19	1003993				
3000K	3500lm	20°	17	1004011				
	3500lm	40°	18	1004014				
	3500lm	55°	19	1004017				
4000K	3750lm	20°	18	1004035				
	3750lm	40°	18	1004038				
	3750lm	55°	19	1004041				
2700K	3300lm	20°	21	1003997				
	3300lm	40°	21	1004000				
	3300lm	55°	22	1004003				
3000K	3300lm	20°	21	1004021				
	3300lm	40°	21	1004024				
	3300lm	55°	22	1004027				
4000K	3600lm	20°	21	1004045				
	3600lm	40°	21	1004048				
	3600lm	55°	23	1004051				
2700K	3500lm	20°	18	1003998				
	3500lm	40°	18	1004001				
	3500lm	55°	19	1004004				
3000K	3550lm	20°	18	1004022				
	3550lm	40°	18	1004025				
	3550lm	55°	19	1004028				
4000K	3800lm	20°	18	1004046				
	3800lm	40°	18	1004049				
	3800lm	55°	19	1004052				
2700K	3400lm	20°	17	1003999				
	3400lm	40°	18	1004002				
	3400lm	55°	19	1004005				
3000K	3500lm	20°	17	1004023				
	3500lm	40°	18	1004026				
	3500lm	55°	19	1004029				
4000K	3750lm	20°	18	1004047				
	3750lm	40°	18	1004050				
	3750lm	55°	19	1004053				

NUMINOS® MOVE M

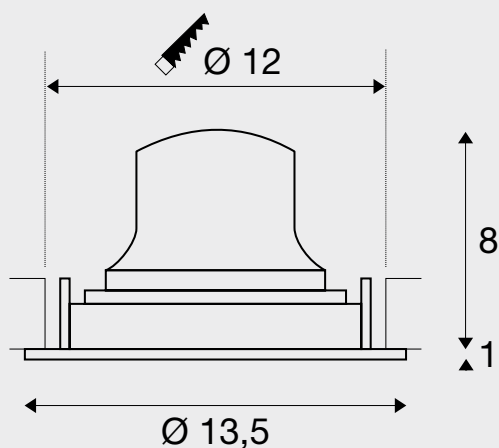
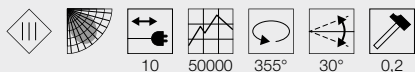


DL



Product details:

500mA
 Premium LED with CRI>90
 Power consumption: 17.5W
 Material: aluminium/polycarbonate (PC)
 Installation dimensions: Diameter: 12 cm D: 10 cm



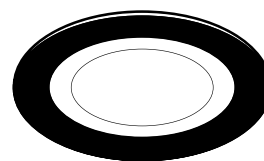
Tip:

Low-voltage plug
 Driver not included

You can find suitable drivers and diffusers on pages 42-43.



black



black



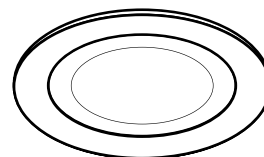
white



chrome



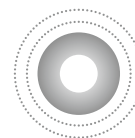
black



white



white



chrome



ITEM NO.

2700K	1460lm	20°	19	1003553			
	1460lm	40°	20	1003556			
	1460lm	55°	21	1003559			
3000K	1500lm	20°	19	1003577			
	1500lm	40°	20	1003580			
	1500lm	55°	21	1003583			
4000K	1600lm	20°	19	1003601			
	1600lm	40°	20	1003604			
	1600lm	55°	21	1003607			
2700K	1600lm	20°	20	1003554			
	1600lm	40°	19	1003557			
	1600lm	55°	20	1003560			
3000K	1600lm	20°	20	1003578			
	1600lm	40°	20	1003581			
	1600lm	55°	21	1003584			
4000K	1750lm	20°	20	1003602			
	1750lm	40°	20	1003605			
	1750lm	55°	21	1003608			
2700K	1550lm	20°	17	1003555			
	1550lm	40°	17	1003558			
	1550lm	55°	18	1003561			
3000K	1550lm	20°	17	1003579			
	1550lm	40°	17	1003582			
	1550lm	55°	19	1003585			
4000K	1660lm	20°	17	1003603			
	1660lm	40°	17	1003606			
	1660lm	55°	19	1003609			
2700K	1460lm	20°	19	1003565			
	1460lm	40°	20	1003568			
	1460lm	55°	21	1003571			
3000K	1500lm	20°	19	1003589			
	1500lm	40°	20	1003592			
	1500lm	55°	21	1003595			
4000K	1600lm	20°	19	1003613			
	1600lm	40°	20	1003616			
	1600lm	55°	21	1003619			
2700K	1600lm	20°	20	1003566			
	1600lm	40°	19	1003569			
	1600lm	55°	20	1003572			
3000K	1600lm	20°	20	1003590			
	1600lm	40°	20	1003593			
	1600lm	55°	21	1003596			
4000K	1750lm	20°	20	1003614			
	1750lm	40°	20	1003617			
	1750lm	55°	21	1003620			
2700K	1550lm	20°	17	1003567			
	1550lm	40°	17	1003570			
	1550lm	55°	18	1003573			
3000K	1550lm	20°	17	1003591			
	1550lm	40°	17	1003594			
	1550lm	55°	19	1003597			
4000K	1660lm	20°	17	1003615			
	1660lm	40°	17	1003618			
	1660lm	55°	19	1003621			

NUMINOS® MOVE L

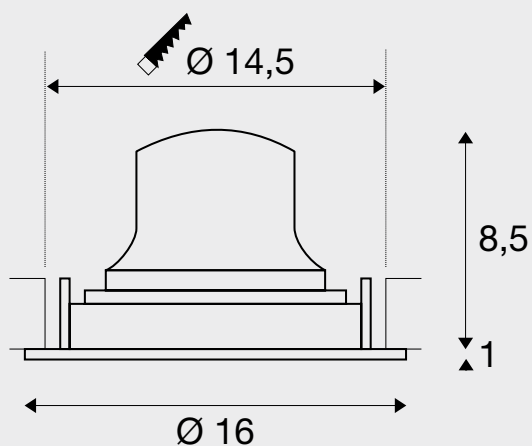
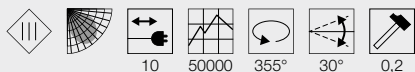


DL



Product details:

750mA
 Premium LED with CRI>90
 Power consumption: 25.4W
 Material: aluminium/polycarbonate (PC)
 Installation dimensions: Diameter: 14.5 cm D: 10.5 cm



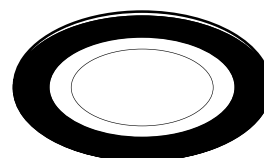
Tip:

Low-voltage plug
 Driver not included

You can find suitable drivers and diffusers on pages 42-43.



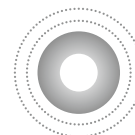
black



black



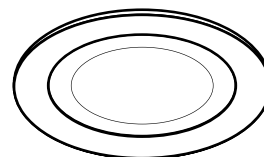
white



chrome



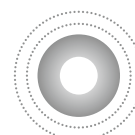
black



white



white



chrome

					ITEM NO.	
2700K		2150lm	20°	20	1003625	
		2150lm	40°	20	1003628	
		2150lm	55°	22	1003631	
3000K		2150lm	20°	20	1003649	
		2150lm	40°	21	1003652	
		2150lm	55°	23	1003655	
4000K		2350lm	20°	20	1003673	
		2350lm	40°	21	1003676	
		2350lm	55°	23	1003679	
2700K		2250lm	20°	18	1003626	
		2250lm	40°	18	1003629	
		2250lm	55°	20	1003632	
3000K		2300lm	20°	18	1003650	
		2300lm	40°	19	1003653	
		2300lm	55°	20	1003656	
4000K		2450lm	20°	18	1003674	
		2450lm	40°	19	1003677	
		2450lm	55°	20	1003680	
2700K		2150lm	20°	17	1003627	
		2150lm	40°	17	1003630	
		2150lm	55°	19	1003633	
3000K		2200lm	20°	17	1003651	
		2200lm	40°	18	1003654	
		2200lm	55°	19	1003657	
4000K		2350lm	20°	17	1003675	
		2350lm	40°	18	1003678	
		2350lm	55°	19	1003681	
2700K		2150lm	20°	20	1003637	
		2150lm	40°	20	1003640	
		2150lm	55°	22	1003643	
3000K		2150lm	20°	20	1003661	
		2150lm	40°	21	1003664	
		2150lm	55°	23	1003667	
4000K		2350lm	20°	20	1003685	
		2350lm	40°	21	1003688	
		2350lm	55°	23	1003691	
2700K		2250lm	20°	18	1003638	
		2250lm	40°	18	1003641	
		2250lm	55°	20	1003644	
3000K		2300lm	20°	18	1003662	
		2300lm	40°	19	1003665	
		2300lm	55°	20	1003668	
4000K		2450lm	20°	18	1003686	
		2450lm	40°	19	1003689	
		2450lm	55°	20	1003692	
2700K		2150lm	20°	17	1003639	
		2150lm	40°	17	1003642	
		2150lm	55°	19	1003645	
3000K		2200lm	20°	17	1003663	
		2200lm	40°	18	1003666	
		2200lm	55°	19	1003669	
4000K		2350lm	20°	17	1003687	
		2350lm	40°	18	1003690	
		2350lm	55°	19	1003693	

NUMINOS® MOVE XL



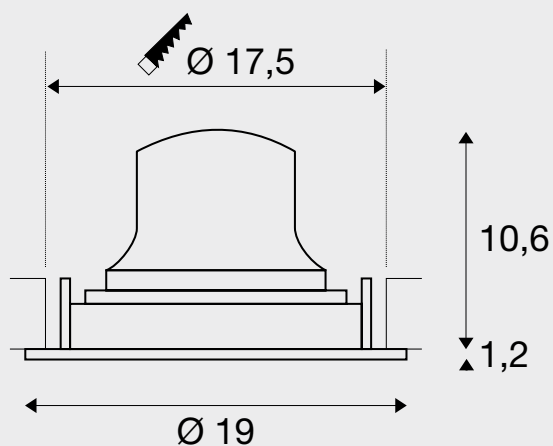
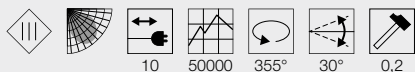
DL

XL



Product details:

1050mA
 Premium LED with CRI>90
 Power consumption: 37.4W
 Material: aluminium/polycarbonate (PC)
 Installation dimensions: Diameter: 17.5 cm D: 13 cm



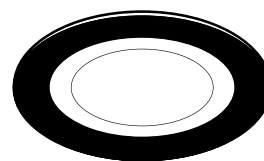
Tip:

Low-voltage plug
 Driver not included

You can find suitable drivers and diffusers on pages 42-43.



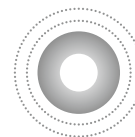
black



black



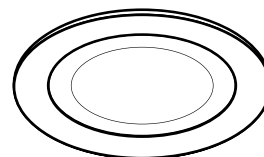
white



chrome



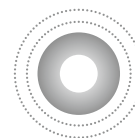
black



white



white



chrome



ITEM NO.

2700K	3300lm	20°	21	1003697	
	3300lm	40°	21	1003700	
	3300lm	55°	22	1003703	
3000K	3300lm	20°	21	1003721	
	3300lm	40°	21	1003724	
	3300lm	55°	22	1003727	
4000K	3600lm	20°	21	1003745	
	3600lm	40°	21	1003748	
	3600lm	55°	23	1003751	
2700K	3500lm	20°	18	1003698	
	3500lm	40°	18	1003701	
	3500lm	55°	19	1003704	
3000K	3550lm	20°	18	1003722	
	3550lm	40°	18	1003725	
	3550lm	55°	19	1003728	
4000K	3800lm	20°	18	1003746	
	3800lm	40°	18	1003749	
	3800lm	55°	19	1003752	
2700K	3400lm	20°	17	1003699	
	3400lm	40°	18	1003702	
	3400lm	55°	19	1003705	
3000K	3500lm	20°	17	1003723	
	3500lm	40°	18	1003726	
	3500lm	55°	19	1003729	
4000K	3750lm	20°	18	1003747	
	3750lm	40°	18	1003750	
	3750lm	55°	19	1003753	
2700K	3300lm	20°	21	1003709	
	3300lm	40°	21	1003712	
	3300lm	55°	22	1003715	
3000K	3300lm	20°	21	1003733	
	3300lm	40°	21	1003736	
	3300lm	55°	22	1003739	
4000K	3600lm	20°	21	1003757	
	3600lm	40°	21	1003760	
	3600lm	55°	23	1003763	
2700K	3500lm	20°	18	1003710	
	3500lm	40°	18	1003713	
	3500lm	55°	19	1003716	
3000K	3550lm	20°	18	1003734	
	3550lm	40°	18	1003737	
	3550lm	55°	19	1003740	
4000K	3800lm	20°	18	1003758	
	3800lm	40°	18	1003761	
	3800lm	55°	19	1003764	
2700K	3400lm	20°	17	1003711	
	3400lm	40°	18	1003714	
	3400lm	55°	19	1003717	
3000K	3500lm	20°	17	1003735	
	3500lm	40°	18	1003738	
	3500lm	55°	19	1003741	
4000K	3750lm	20°	18	1003759	
	3750lm	40°	18	1003762	
	3750lm	55°	19	1003765	

Accessory

Perfect driver assignment

	S	S	S	M	M	M
	250mA	250mA	250/350/500/700mA	500/600/700mA	500mA	250/350/500/700mA
Material	Polycarbonate (PC)	Polycarbonate (PC)	Polycarbonate (PC)	Polycarbonate (PC)	Polycarbonate (PC)	Polycarbonate (PC)
Colour	white	white	white	white	white	white
Voltage prim.	220-240V ~50/60Hz	220-240V ~50/60Hz	220-240V ~50/60Hz	220-240V ~50/60Hz	220-240V ~50/60Hz	220-240V ~50/60Hz
Voltage sec.	26-40V	30-42V	6-60V	30-42V	42-60V	6-58V
Output current	250mA	250mA	250/350/500/700mA	500/600/700mA	500mA	250/350/500/700mA
Number of outputs sec.	1	1	1	1	1	1
Output from	6.5W	7.5W	1.5W	15W	21W	1.5W
Output up to	10W	10W	15W	29.5W	30W	40.6W
Environmental temp. min.	-20°C	-20°C	-20°C	-20°C	-25°C	-25°C
Environmental temp. max.	45°C	50°C	50°C	50°C	50°C	50°C
Temperature protection	110°C	110°C	110°C	110°C	110°C	110°C
IP protection rating	IP 20	IP 20	IP 20	IP 20	IP 20	IP 20
Dimmable	-	PHASE C	DALI	-	PHASE C	DALI
Length	6.5 cm	8.5 cm	15 cm	14.7 cm	13.8 cm	12.3 cm
Width	3.9 cm	3.9 cm	5.2 cm	4.3 cm	4.4 cm	7.9 cm
Height	2 cm	2.2 cm	2.8 cm	3 cm	3 cm	2.4 cm
Weight	0.05 kg	0.05 kg	0.142 kg	0.105 kg	0.13 kg	1.21 kg
Item No.	1004058	1004055	1004067	1004064	1004054	1004069

	S				M			
Item No.	1004786	1004787	1004788	1004789	1004790	1004791	1004792	1004793

	L	L	L	XL	XL	XL
	500/600/700mA	700mA	700mA	800/900/1050mA	1000mA	1050mA
Material	Polycarbonate (PC)	Polycarbonate (PC)	Polycarbonate (PC)	Polycarbonate (PC)	Polycarbonate (PC)	Polycarbonate (PC)
Colour	white	white	white	white	white	white
Voltage prim.	220-240V ~50/60Hz	220-240V ~50/60Hz	220-240V ~50/60Hz	220-240V ~50/60Hz	220-240V ~50/60Hz	220-240V ~50/60Hz
Voltage sec.	30-42V	30-42V	6-58V	30-42V	28-40V	6-58V
Output current	500/600/700mA	700mA	250/350/500/700mA	800/900/1050mA	1000mA	700/800/900/1050/1200/1300/1400mA
Number of outputs sec.	1	1	1	1	1	1
Output from	15W	21W	1.5W	24W	28W	4.2W
Output up to	29.5W	29.4W	40.6W	44W	40W	50W
Environmental temp. min.	-20°C	-20°C	-25°C	-20°C	-20°C	-25°C
Environmental temp. max.	50°C	50°C	50°C	50°C	50°C	50°C
Temperature protection	110°C	110°C	110°C	110°C	110°C	110°C
IP protection rating	IP 20	IP 20	IP 20	IP 20	IP 20	IP 20
Dimmable	-	PHASE C	DALI	-	PHASE C	DALI
Length	14.7 cm	11.5W	12.3 cm	9.7 cm	15.3 cm	12.3 cm
Width	4.3 cm	4.4 cm	7.9 cm	4.3 cm	6.7 cm	7.9 cm
Height	3 cm	3 cm	2.4 cm	3 cm	3 cm	2.4 cm
Weight	0.105 kg	0.072 kg	1.21 kg	0.072 kg	0.2 kg	0.215 kg
Item No.	1004062	1004065	1004070	1004059	1004066	1004071

	L					XL		
Item No.	1004794	1004795	1004796	1004797	1004798	1004799	1004800	1004801

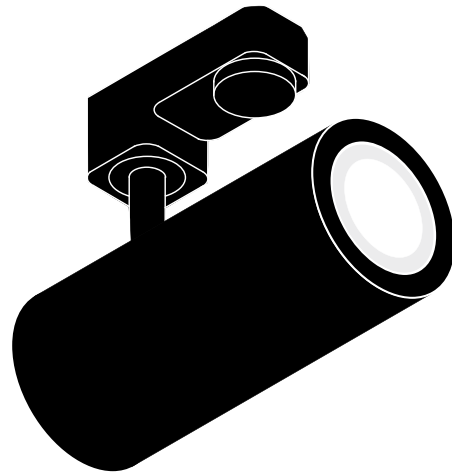
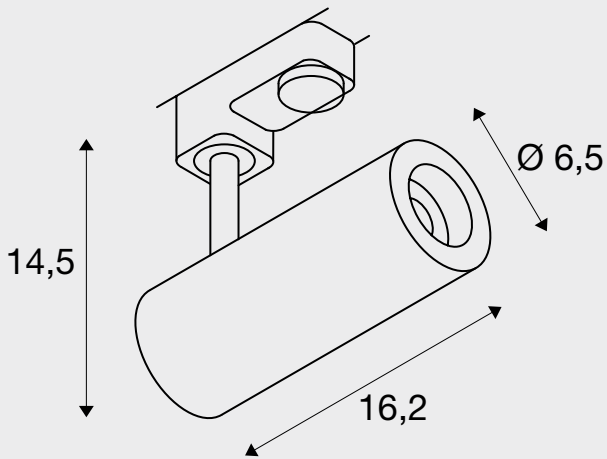
NUMINOS® S



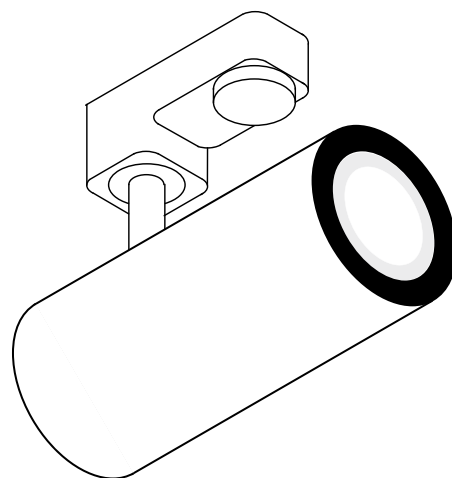
3-circuit

Product details:

220-240V ~50/60Hz | 250mA
 Premium LED with CRI>90
 Total wattage: 10.42W
 Material: aluminium/plastic



■ black



□ white



ITEM NO.

	2700K	985lm	24°	1004074
		985lm	36°	1004075
		980lm	60°	1004076
	3000K	1020lm	24°	1004082
		1020lm	36°	1004083
		1020lm	60°	1004084
	4000K	1100lm	24°	1004090
		1100lm	36°	1004091
		1100lm	60°	1004092



	2700K	985lm	24°	1004362
		985lm	36°	1004363
		980lm	60°	1004364
	3000K	1020lm	24°	1004370
		1020lm	36°	1004371
		1020lm	60°	1004372
	4000K	1100lm	24°	1004378
		1100lm	36°	1004379
		1100lm	60°	1004380



	2700K	980lm	24°	1004078
		985lm	36°	1004079
		980lm	60°	1004080
	3000K	1020lm	24°	1004086
		1020lm	36°	1004087
		1020lm	60°	1004088
	4000K	1090lm	24°	1004094
		1100lm	36°	1004095
		1090lm	60°	1004096



	2700K	985lm	24°	1004366
		985lm	36°	1004367
		980lm	60°	1004368
	3000K	1020lm	24°	1004374
		1020lm	36°	1004375
		1020lm	60°	1004376
	4000K	1100lm	24°	1004382
		1100lm	36°	1004383
		1100lm	60°	1004384



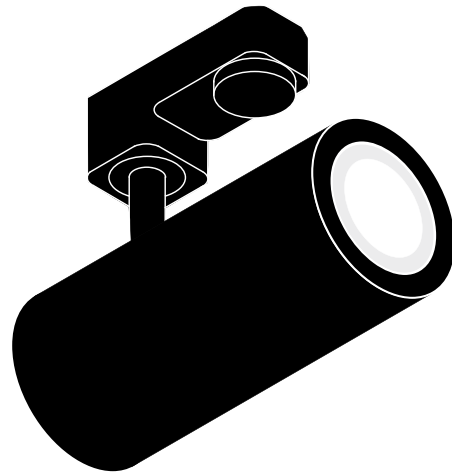
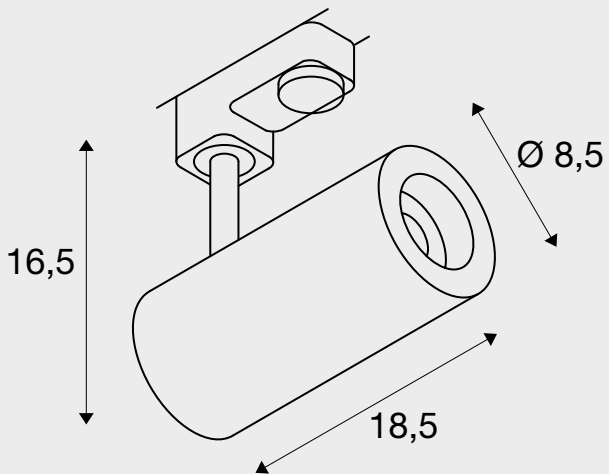
NUMINOS® M



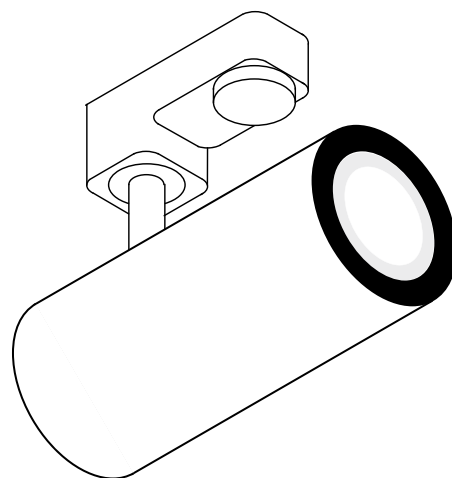
3-circuit

Product details:

220-240V ~50/60Hz | 500mA
 Premium LED with CRI>90
 Total wattage: 20.1W
 Material: aluminium/plastic



■ black



□ white



ITEM NO.

	2700K	1925lm	24°	1004170
		1935lm	36°	1004171
		1885lm	60°	1004172
	3000K	1955lm	24°	1004178
		1970lm	36°	1004179
		1880lm	60°	1004180
	4000K	2125lm	24°	1004186
		2120lm	36°	1004187
		2060lm	60°	1004188



	2700K	1925lm	24°	1004458
		1935lm	36°	1004459
		1885lm	60°	1004460
	3000K	1930lm	24°	1004466
		1970lm	36°	1004467
		1880lm	60°	1004468
	4000K	2125lm	24°	1004474
		2120lm	36°	1004475
		2060lm	60°	1004476



	2700K	1925lm	24°	1004174
		1935lm	36°	1004175
		1870lm	60°	1004176
	3000K	1955lm	24°	1004182
		1970lm	36°	1004183
		1870lm	60°	1004184
	4000K	2125lm	24°	1004190
		2120lm	36°	1004191
		2060lm	60°	1004192



	2700K	1925lm	24°	1004462
		1935lm	36°	1004463
		1885lm	60°	1004464
	3000K	1955lm	24°	1004470
		1970lm	36°	1004471
		1880lm	60°	1004472
	4000K	2125lm	24°	1004478
		2120lm	36°	1004479
		2060lm	60°	1004480



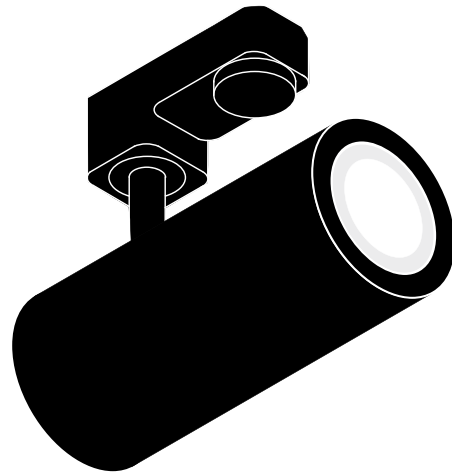
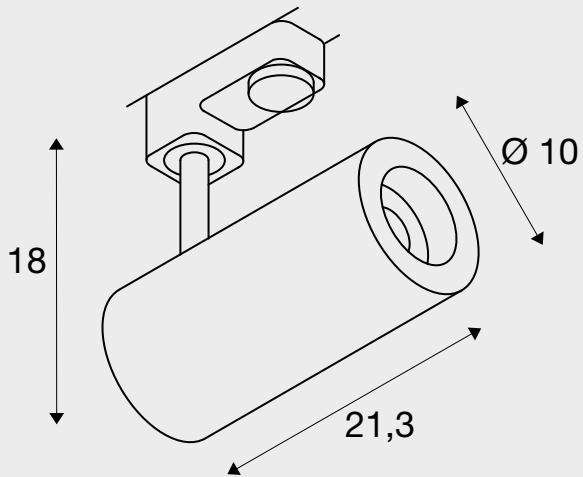
NUMINOS® L



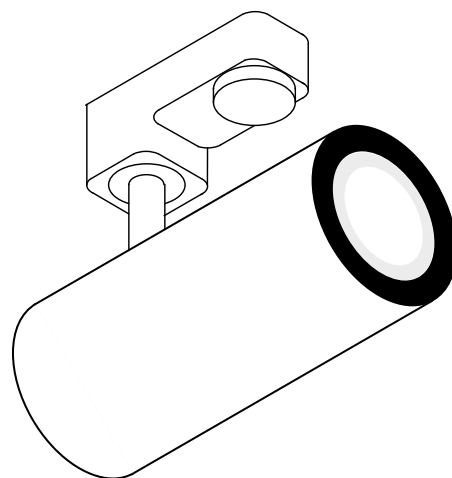
3-circuit

Product details:

220-240V ~50/60Hz | 700mA
 Premium LED with CRI>90
 System output: 28W
 Material: aluminium/plastic



■ black



□ white



ITEM NO.

	2700K	2440lm	24°	1004266
		2400lm	36°	1004267
		2475lm	60°	1004268
	3000K	2430lm	24°	1004274
		2340lm	36°	1004275
		2400lm	60°	1004276
	4000K	2675lm	24°	1004282
		2620lm	36°	1004283
		2715lm	60°	1004284



	2700K	2430lm	24°	1004554
		2400lm	36°	1004555
		2475lm	60°	1004556
	3000K	2430lm	24°	1004562
		2340lm	36°	1004563
		2400lm	60°	1004564
	4000K	2675lm	24°	1004570
		2620lm	36°	1004571
		2715lm	60°	1004572



	2700K	2430lm	24°	1004270
		2400lm	36°	1004271
		2475lm	60°	1004272
	3000K	2430lm	24°	1004278
		2340lm	36°	1004279
		2400lm	60°	1004280
	4000K	2675lm	24°	1004286
		2620lm	36°	1004287
		2715lm	60°	1004288



	2700K	2440lm	24°	1004558
		2400lm	36°	1004559
		2475lm	60°	1004560
	3000K	2430lm	24°	1004566
		2340lm	36°	1004567
		2400lm	60°	1004568
	4000K	2675lm	24°	1004574
		2620lm	36°	1004575
		2715lm	60°	1004576



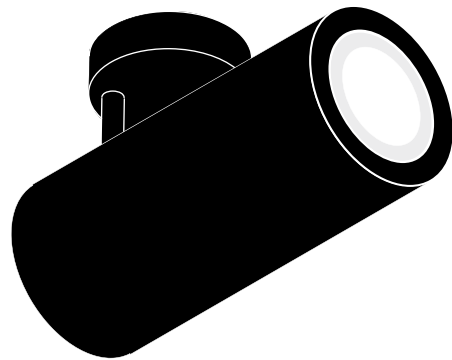
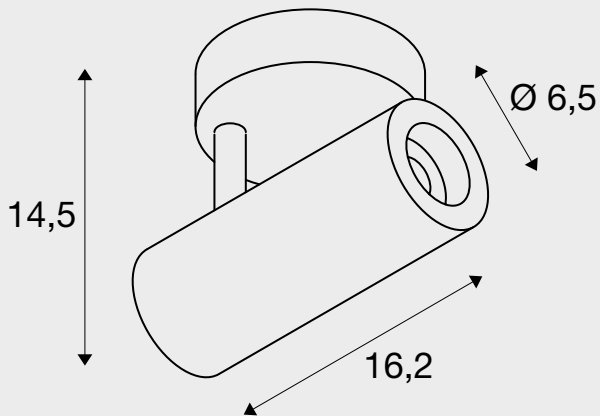
NUMINOS® S



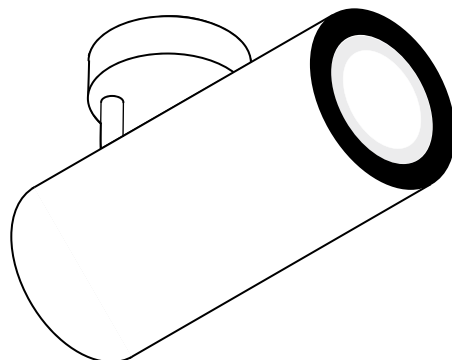
CW

Product details:

220-240V ~50/60Hz | 250mA
 Premium LED with CRI>90
 Total wattage: 10.42W
 Material: aluminium/plastic



■ black



□ white



ITEM NO.

	2700K	985lm	24°	1004098
		985lm	36°	1004099
		980lm	60°	1004100
	3000K	1020lm	24°	1004106
		1020lm	36°	1004107
		1020lm	60°	1004108
	4000K	1100lm	24°	1004114
		1100lm	36°	1004115
		1100lm	60°	1004116



	2700K	985lm	24°	1004386
		980lm	36°	1004387
		980lm	60°	1004388
	3000K	1020lm	24°	1004394
		1020lm	36°	1004395
		1020lm	60°	1004396
	4000K	1090lm	24°	1004402
		1100lm	36°	1004403
		1100lm	60°	1004404



	2700K	985lm	24°	1004102
		985lm	36°	1004103
		980lm	60°	1004104
	3000K	1020lm	24°	1004110
		1020lm	36°	1004111
		1020lm	60°	1004112
	4000K	1100lm	24°	1004118
		1100lm	36°	1004119
		1090lm	60°	1004120



	2700K	985lm	24°	1004390
		985lm	36°	1004391
		980lm	60°	1004392
	3000K	1020lm	24°	1004398
		1020lm	36°	1004399
		1020lm	60°	1004400
	4000K	1090lm	24°	1004406
		1100lm	36°	1004407
		1100lm	60°	1004408



NUMINOS® M



CL

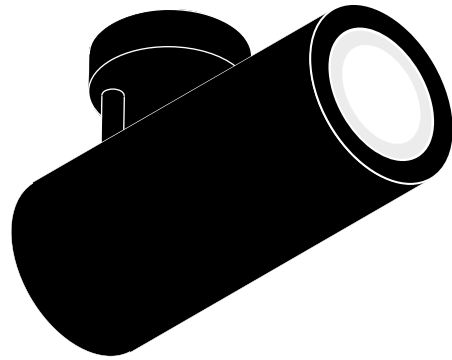
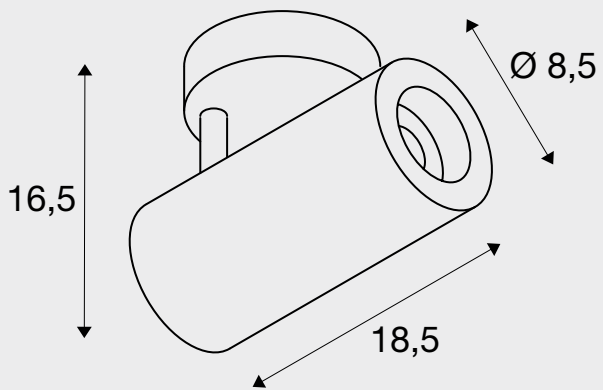
Product details:

220-240V ~50/60Hz | 500mA

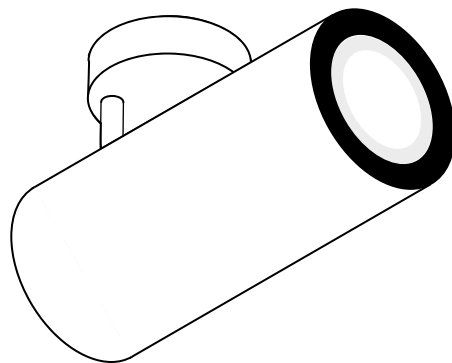
Premium LED with CRI>90

Total wattage: 20.1W

Material: aluminium/plastic



■ black



□ white



ITEM NO.

	2700K	1925lm	24°	1004194
		1935lm	36°	1004195
		1870lm	60°	1004196
	3000K	1955lm	24°	1004202
		1950lm	36°	1004203
		1870lm	60°	1004204
	4000K	2125lm	24°	1004210
		2120lm	36°	1004211
		2060lm	60°	1004212



	2700K	1925lm	24°	1004482
		1935lm	36°	1004483
		1885lm	60°	1004484
	3000K	1955lm	24°	1004490
		1950lm	36°	1004491
		1880lm	60°	1004492
	4000K	2125lm	24°	1004498
		2120lm	36°	1004499
		2060lm	60°	1004500



	2700K	1930lm	24°	1004198
		1930lm	36°	1004199
		1885lm	60°	1004200
	3000K	1955lm	24°	1004206
		1970lm	36°	1004207
		1880lm	60°	1004208
	4000K	2125lm	24°	1004214
		2120lm	36°	1004215
		2060lm	60°	1004216



	2700K	1925lm	24°	1004486
		1935lm	36°	1004487
		1885lm	60°	1004488
	3000K	1930lm	24°	1004494
		1970lm	36°	1004495
		1880lm	60°	1004496
	4000K	2120lm	24°	1004502
		2120lm	36°	1004503
		2060lm	60°	1004504



NUMINOS® L



CL

Product details:

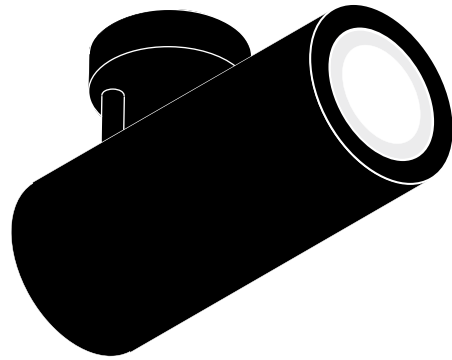
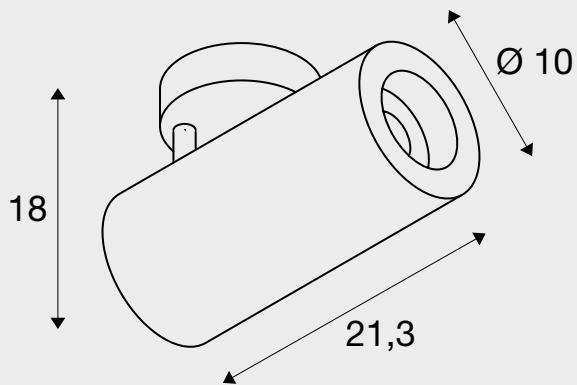
220-240V ~50/60Hz | 700mA
Premium LED with CRI>90
System output: 28W
Material: aluminium/plastic



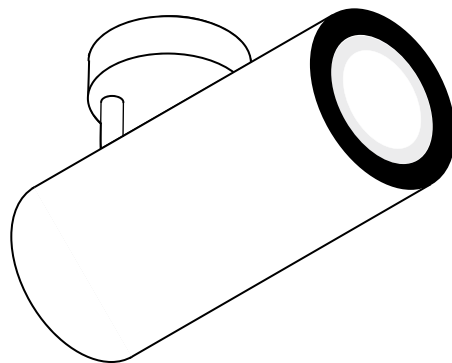
50000

350°

90°



■ black



□ white



ITEM NO.

	2700K	2440lm	24°	1004290
		2400lm	36°	1004291
		2475lm	60°	1004292
	3000K	2430lm	24°	1004298
		2340lm	36°	1004299
		2400lm	60°	1004300
	4000K	2675lm	24°	1004306
		2620lm	36°	1004307
		2715lm	60°	1004308



	2700K	2440lm	24°	1004578
		2400lm	36°	1004579
		2475lm	60°	1004580
	3000K	2430lm	24°	1004586
		2340lm	36°	1004587
		2400lm	60°	1004588
	4000K	2675lm	24°	1004594
		2620lm	36°	1004595
		2715lm	60°	1004596



	2700K	2430lm	24°	1004294
		2400lm	36°	1004295
		2475lm	60°	1004296
	3000K	2430lm	24°	1004302
		2340lm	36°	1004303
		2400lm	60°	1004304
	4000K	2675lm	24°	1004310
		2620lm	36°	1004311
		2720lm	60°	1004312



	2700K	2440lm	24°	1004582
		2400lm	36°	1004583
		2475lm	60°	1004584
	3000K	2430lm	24°	1004590
		2340lm	36°	1004591
		2400lm	60°	1004592
	4000K	2675lm	24°	1004598
		2620lm	36°	1004599
		2715lm	60°	1004600



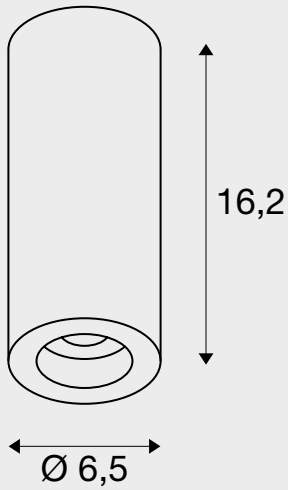
NUMINOS® S



CL

Product details:

220-240V ~50/60Hz | 250mA
Premium LED with CRI>90
Total wattage: 10.42W
Material: aluminium/plastic



■ black



□ white



ITEM NO.

	2700K	985lm	24°	1004122	
		985lm	36°	1004123	
		980lm	60°	1004124	
	3000K	1020lm	24°	1004130	
		1020lm	36°	1004131	
		1020lm	60°	1004132	
	4000K	1100lm	24°	1004138	
		1100lm	36°	1004139	
		1100lm	60°	1004140	

	2700K	985lm	24°	1004410	
		985lm	36°	1004411	
		980lm	60°	1004412	
	3000K	1020lm	24°	1004418	
		1020lm	36°	1004419	
		1010lm	60°	1004420	
	4000K	1100lm	24°	1004426	
		1100lm	36°	1004427	
		1100lm	60°	1004428	

	2700K	980lm	24°	1004126	
		985lm	36°	1004127	
		980lm	60°	1004128	
	3000K	1010lm	24°	1004134	
		1020lm	36°	1004135	
		2620lm	60°	1004136	
	4000K	1100lm	24°	1004142	
		1100lm	36°	1004143	
		1090lm	60°	1004144	

	2700K	985lm	24°	1004414	
		980lm	36°	1004415	
		980lm	60°	1004416	
	3000K	1010lm	24°	1004422	
		1020lm	36°	1004423	
		1020lm	60°	1004424	
	4000K	1100lm	24°	1004430	
		1100lm	36°	1004431	
		1100lm	60°	1004432	

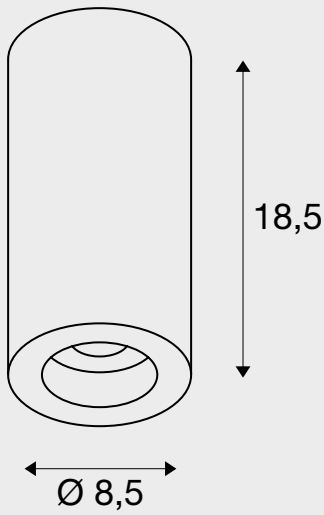
NUMINOS® M



CL

Product details:

220-240V ~50/60Hz | 500mA
Premium LED with CRI>90
Total wattage: 20.1W
Material: aluminium/plastic



■ black



□ white



ITEM NO.

	2700K	1925lm	24°	1004218	
		1930lm	36°	1004219	
		1870lm	60°	1004220	
	3000K	1950lm	24°	1004226	
		1970lm	36°	1004227	
		1880lm	60°	1004228	
	4000K	2125lm	24°	1004234	
		2120lm	36°	1004235	
		2060lm	60°	1004236	

	2700K	1925lm	24°	1004506	
		1935lm	36°	1004507	
		1885lm	60°	1004508	
	3000K	1930lm	24°	1004514	
		1970lm	36°	1004515	
		1870lm	60°	1004516	
	4000K	2125lm	24°	1004522	
		2120lm	36°	1004523	
		2060lm	60°	1004524	

	2700K	1925lm	24°	1004222	
		1935lm	36°	1004223	
		1885lm	60°	1004224	
	3000K	1955lm	24°	1004230	
		1950lm	36°	1004231	
		1870lm	60°	1004232	
	4000K	2125lm	24°	1004238	
		2120lm	36°	1004239	
		2060lm	60°	1004240	

	2700K	1925lm	24°	1004510	
		1935lm	36°	1004511	
		1885lm	60°	1004512	
	3000K	1950lm	24°	1004518	
		1950lm	36°	1004519	
		1880lm	60°	1004520	
	4000K	2125lm	24°	1004526	
		2120lm	36°	1004527	
		2060lm	60°	1004528	

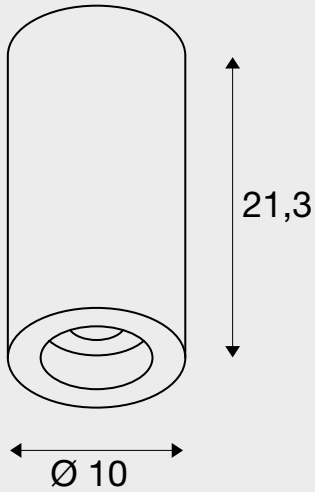
NUMINOS® L



CL

Product details:

220-240V ~50/60Hz | 700mA
Premium LED with CRI>90
System output: 28W
Material: aluminium/plastic



■ black



□ white



ITEM NO.

	2700K	2440lm	24°	1004314	
		2400lm	36°	1004315	
		2475lm	60°	1004316	
	3000K	2430lm	24°	1004322	
		2340lm	36°	1004323	
		2400lm	60°	1004324	
	4000K	2675lm	24°	1004330	
		2620lm	36°	1004331	
		2715lm	60°	1004332	

	2700K	2440lm	24°	1004602	
		2400lm	36°	1004603	
		2475lm	60°	1004604	
	3000K	2430lm	24°	1004610	
		2340lm	36°	1004611	
		2400lm	60°	1004612	
	4000K	2675lm	24°	1004618	
		2620lm	36°	1004619	
		2715lm	60°	1004620	

	2700K	2440lm	24°	1004318	
		2400lm	36°	1004319	
		2475lm	60°	1004320	
	3000K	2430lm	24°	1004326	
		2340lm	36°	1004327	
		2400lm	60°	1004328	
	4000K	2670lm	24°	1004334	
		2620lm	36°	1004335	
		2715lm	60°	1004336	

	2700K	2440lm	24°	1004606	
		2400lm	36°	1004607	
		2475lm	60°	1004608	
	3000K	2430lm	24°	1004614	
		2340lm	36°	1004615	
		2400lm	60°	1004616	
	4000K	2675lm	24°	1004622	
		2620lm	36°	1004623	
		2715lm	60°	1004624	

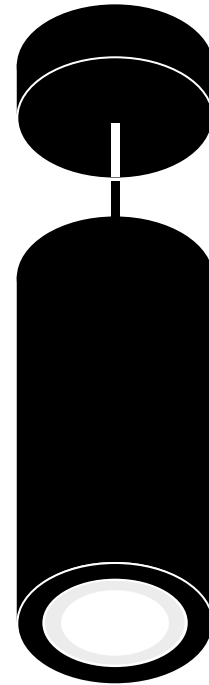
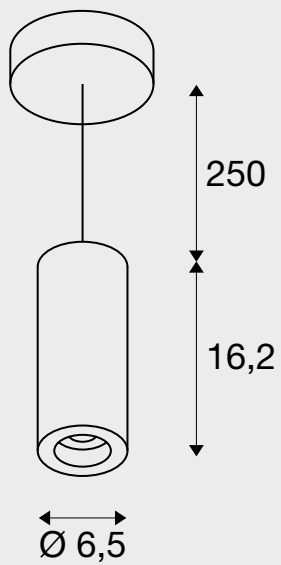
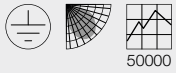
NUMINOS® S



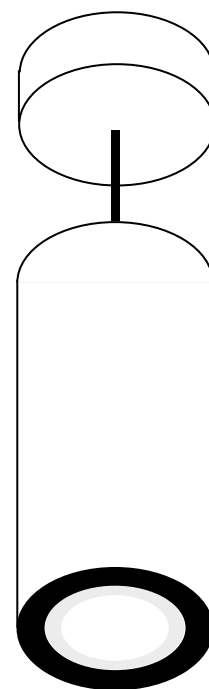
PD

Product details:

220-240V ~50/60Hz | 250mA
Premium LED with CRI>90
Total wattage: 10.42W
Material: aluminium/plastic



■ black



□ white



ITEM NO.

	2700K	980lm	24°	1004146	
		985lm	36°	1004147	
		980lm	60°	1004148	
	3000K	1020lm	24°	1004154	
		1020lm	36°	1004155	
		1020lm	60°	1004156	
	4000K	1100lm	24°	1004162	
		1100lm	36°	1004163	
		1100lm	60°	1004164	

	2700K	985lm	24°	1004434	
		985lm	36°	1004435	
		980lm	60°	1004436	
	3000K	1020lm	24°	1004442	
		1020lm	36°	1004443	
		1020lm	60°	1004444	
	4000K	1100lm	24°	1004450	
		1100lm	36°	1004451	
		1100lm	60°	1004452	

	2700K	985lm	24°	1004150	
		985lm	36°	1004151	
		980lm	60°	1004152	
	3000K	1020lm	24°	1004158	
		1020lm	36°	1004159	
		1020lm	60°	1004160	
	4000K	1100lm	24°	1004166	
		1100lm	36°	1004167	
		1100lm	60°	1004168	

	2700K	985lm	24°	1004438	
		985lm	36°	1004439	
		980lm	60°	1004440	
	3000K	1020lm	24°	1004446	
		1020lm	36°	1004447	
		1020lm	60°	1004448	
	4000K	1100lm	24°	1004454	
		1100lm	36°	1004455	
		1100lm	60°	1004456	

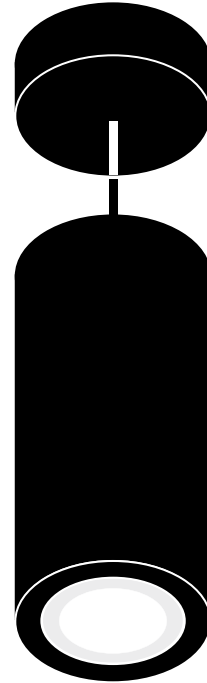
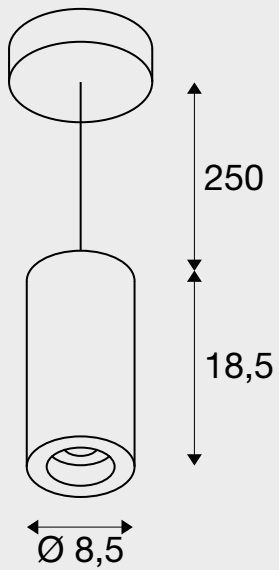
NUMINOS® M



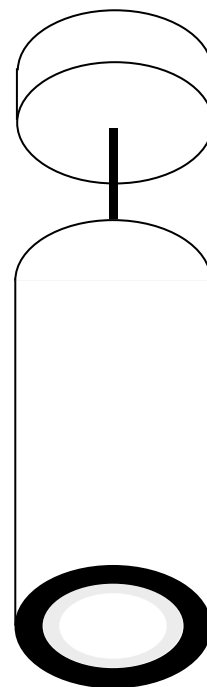
PD

Product details:

220-240V ~50/60Hz | 500mA
Premium LED with CRI>90
Total wattage: 20.1W
Material: aluminium/plastic



■ black



□ white



ITEM NO.

	2700K	1925lm	24°	1004242	
		1935lm	36°	1004243	
		1885lm	60°	1004244	
	3000K	1955lm	24°	1004250	
		1970lm	36°	1004251	
		1870lm	60°	1004252	
	4000K	2125lm	24°	1004258	
		2120lm	36°	1004259	
		2060lm	60°	1004260	

	2700K	1925lm	24°	1004530	
		1935lm	36°	1004531	
		1885lm	60°	1004532	
	3000K	1955lm	24°	1004538	
		1970lm	36°	1004539	
		1880lm	60°	1004540	
	4000K	2125lm	24°	1004546	
		2120lm	36°	1004547	
		2060lm	60°	1004548	

	2700K	1925lm	24°	1004246	
		1935lm	36°	1004247	
		1885lm	60°	1004248	
	3000K	1955lm	24°	1004254	
		1950lm	36°	1004255	
		1880lm	60°	1004256	
	4000K	2125lm	24°	1004262	
		2120lm	36°	1004263	
		2060lm	60°	1004264	

	2700K	1930lm	24°	1004534	
		1935lm	36°	1004535	
		1885lm	60°	1004536	
	3000K	1955lm	24°	1004542	
		1970lm	36°	1004543	
		1870lm	60°	1004544	
	4000K	2125lm	24°	1004550	
		2120lm	36°	1004551	
		2060lm	60°	1004552	

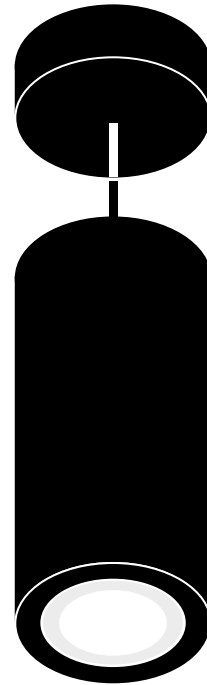
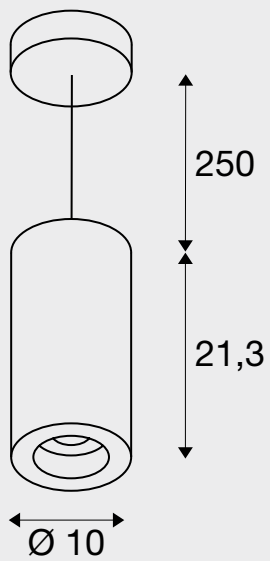
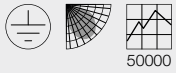
NUMINOS® L



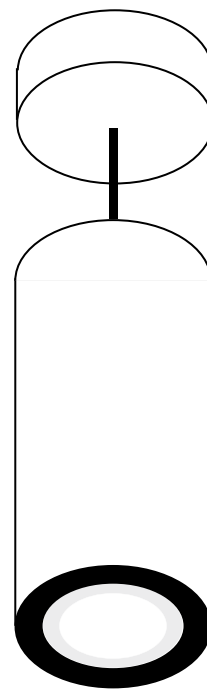
PD

Product details:

220-240V ~50/60Hz | 700mA
Premium LED with CRI>90
System output: 28W
Material: aluminium/plastic



■ black



□ white



ITEM NO.

	2700K	2440lm	24°	1004338	
		2400lm	36°	1004339	
		2475lm	60°	1004340	
	3000K	2430lm	24°	1004346	
		2340lm	36°	1004347	
		2400lm	60°	1004348	
	4000K	2670lm	24°	1004354	
		2620lm	36°	1004355	
		2715lm	60°	1004356	

	2700K	2430lm	24°	1004626	
		2400lm	36°	1004627	
		2475lm	60°	1004628	
	3000K	2430lm	24°	1004634	
		2340lm	36°	1004635	
		2400lm	60°	1004636	
	4000K	2675lm	24°	1004642	
		2620lm	36°	1004643	
		2715lm	60°	1004644	

	2700K	2440lm	24°	1004342	
		2400lm	36°	1004343	
		2475lm	60°	1004344	
	3000K	2430lm	24°	1004350	
		2340lm	36°	1004351	
		2400lm	60°	1004352	
	4000K	2670lm	24°	1004358	
		2620lm	36°	1004359	
		2720lm	60°	1004360	


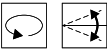

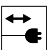





	2700K	2440lm	24°	1004630	
		2400lm	36°	1004631	
		2475lm	60°	1004632	
	3000K	2430lm	24°	1004638	
		2340lm	36°	1004639	
		2400lm	60°	1004640	
	4000K	2675lm	24°	1004646	
		2620lm	36°	1004647	
		2715lm	60°	1004648	





Anyone who has completed a project with SLV NUMINOS® downlights or spots can sit back and relax. Because the quality of the LEDs and drivers installed guarantees long life and lighting quality. When will you start your project with the SLV NUMINOS® lighting system?

SYMBOLS KEY





PRODUCT CHARACTERISTICS

	Dimmable with... <ul style="list-style-type: none"> · C = leading-edge phase dimmer · Dali = Dali busbar system
	Rotating and pivoting capacity in degrees: <ul style="list-style-type: none"> · Rotation range · Pivot range
	The half beam angle Describes the beam angle in degrees. The smaller the angle, the more concentrated the light will be.
	Power cable length in cm
	Average lifespan of a lightbulb or light source in hours
	UGR = Unified Glare Rating The lower the UGR value, the lower the psychological glare.
	Colour temperature
	Lumen
	Controller





SAFETY DETAILS

	Protection categories <ul style="list-style-type: none"> · Protection class I / Protective conductor · Protection class II / protection through double or strengthened insulation · Protection category III / protection through low voltage
	The IK degree of shock resistance is a measure of the resistance of the housing of electrical equipment to mechanical stress, especially impact stress.

APPLICATION AREA · ASSEMBLY

	IP protection rating Indicates the suitability of electrical equipment for different environmental conditions.
	Independent converter (control equipment also for use outside of lights)
	Short-circuit protected safety control equipment
	<ul style="list-style-type: none"> · For indoor use only · Not suitable for use indoors

SPECIAL SYMBOLS

	Indicates products that have been added to the catalogue for the first time
	Indicates products with integrated LEDs
	Indicates lights from a single lighting family
	You can easily add an optional driver (on/off, phase dimming, DALI) and suitable diffusers using the colour coding system .

Please note:

A large part of the products shown in this catalogue are protected by trademarks, registered designs, utility models or patents. Any violation of these property rights or the use of text and layout design or copyrighted images without our authorisation will be prosecuted. The illustrations and information contained in this catalogue are for illustrative purposes only and are not legally binding in terms of colour, shape, design or technical details. All product descriptions and specifications are subject to alteration and errors.

All of the products in our range are subject to our strict quality assurance procedures and comply with generally applicable standards. This catalogue contains a general range and is not country specific. Any deviations from country-specific guidelines must be clarified before ordering. SLV cannot be held responsible for any deviations in terms of technical standards. All weights and dimensions are given in kg and cm respectively unless stated otherwise. We reserve the right to make technical alterations!

The presentation of our lights with realistic photos showing examples of use is possible thanks to the kind cooperation and agreement of the owners or designers of the environments displayed in the images. We would like to take this opportunity to thank all those who contributed to the creation and use of our photos by giving their consent!

You can find our entire range of products on our website KS-Light.co.uk and in the current BIG WHITE® 2021 catalogue.

Image credits
 SLV GmbH
www.gettyimages.de

From hotels and offices to commercial or private rooms. From application to technology to detailed design: one great feature is that the modular downlights and spotlights can be configured exactly as required, depending on the design or space in question. And the more multifaceted your project is, the more you benefit from the SLV NUMINOS® lighting system.



KS Licht- u. Elektrotechnik GmbH
Manderscheidstr. 8c
D-45141 Essen

Tel.: +49 (0)201-89924-0
Fax: +49 (0)201-89924-124

Internet: www.KS-Germany.com
Email: Verkauf@KS-Germany.com